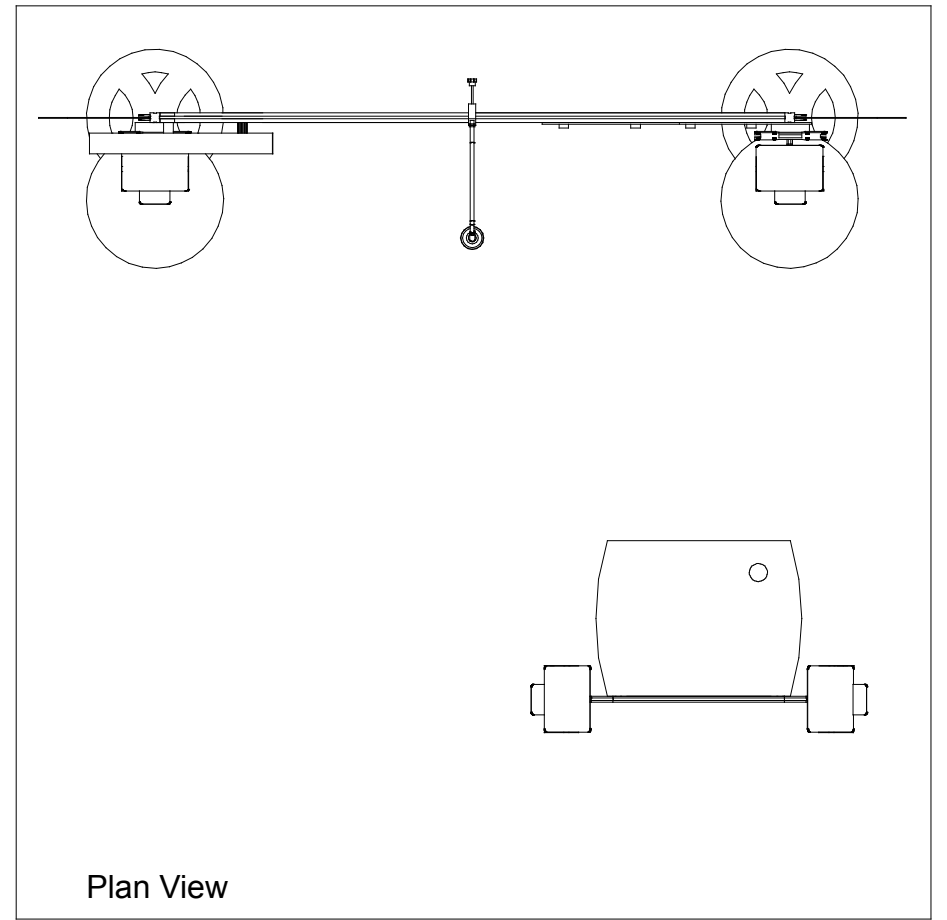


Perspective View



Plan View

General Setup Instructions

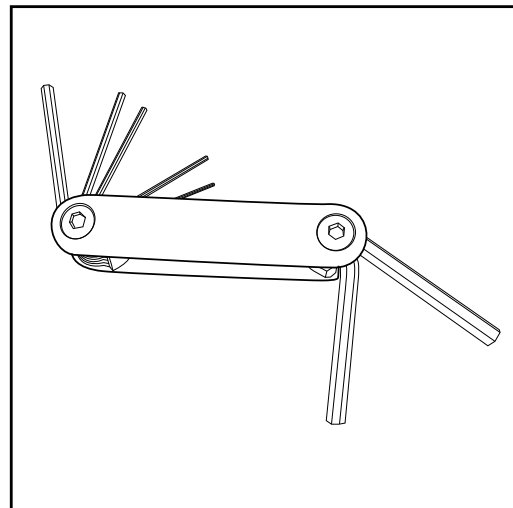
- Read entire setup instruction manual prior to unpacking parts and pieces.
- The setup instructions are created specifically for this configuration.
- Setup instructions are laid out sequentially in steps, including exploded views with detailed explanation for assembly.

Cleaning & Packing

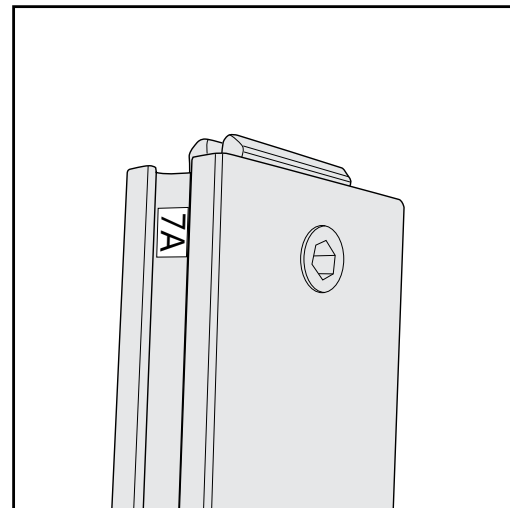
- For Cleaning Metal, Plex, & Laminate Parts: Use a **MILD NON-ABRASIVE** cleanser and soft cloth/paper towel to clean all surfaces.
- Keep exhibit components away from heat and prolonged sun exposure.
Heat and UV exposure will warp and fade components.
- Retain all provided Packing Materials. All provided packing materials are for ease of repacking & component protection.

Disassembly

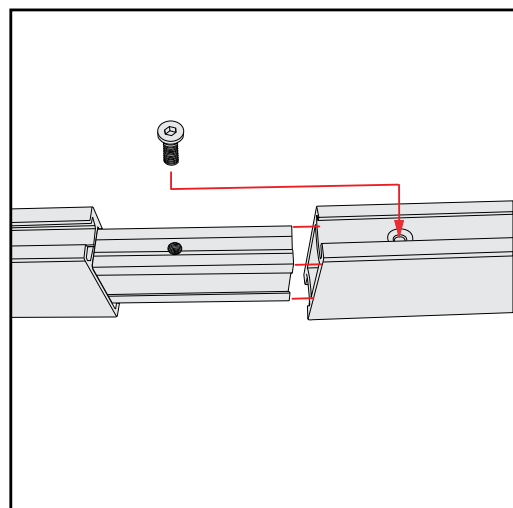
- For loss prevention, tighten all setscrews and locks during disassembly



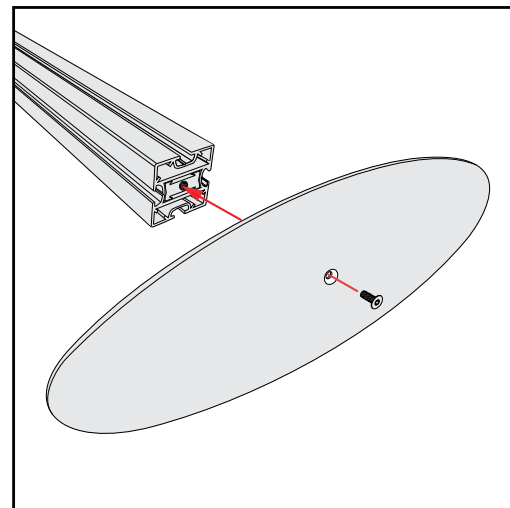
Hex Tool - Essential for Assembly



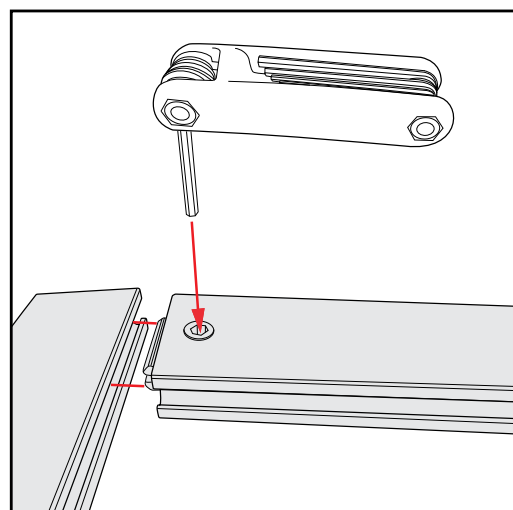
Part Identification - Numbering



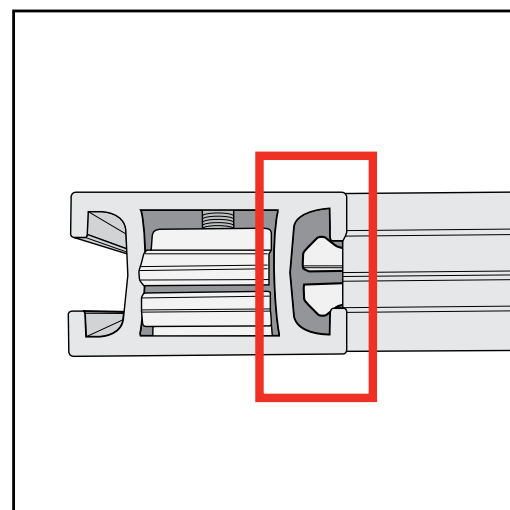
Spline Connection



Base Plate & Extrusion Connection



Extrusion & Lock Connection



Engaged Lock



WARNING



DO NOT USE POWER TOOLS



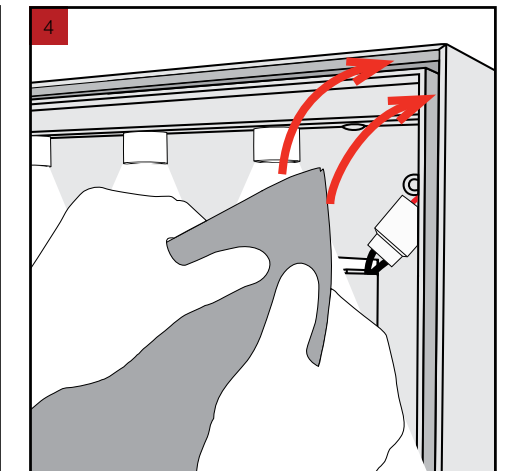
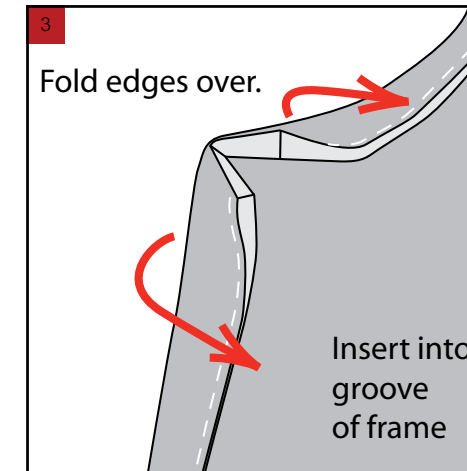
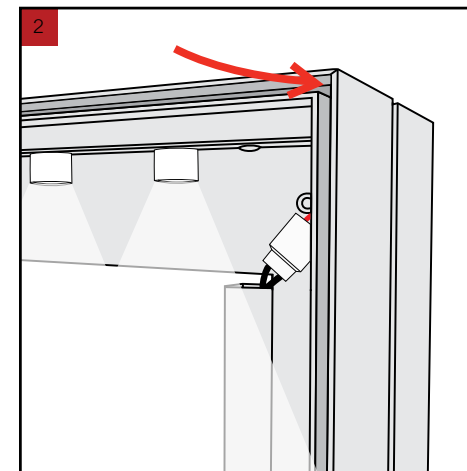
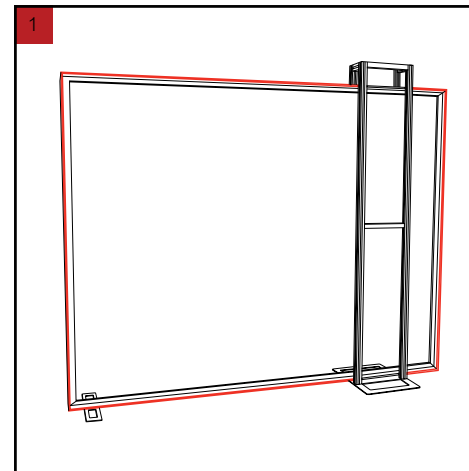
LADDERS OR LIFTS
MAY BE REQUIRED



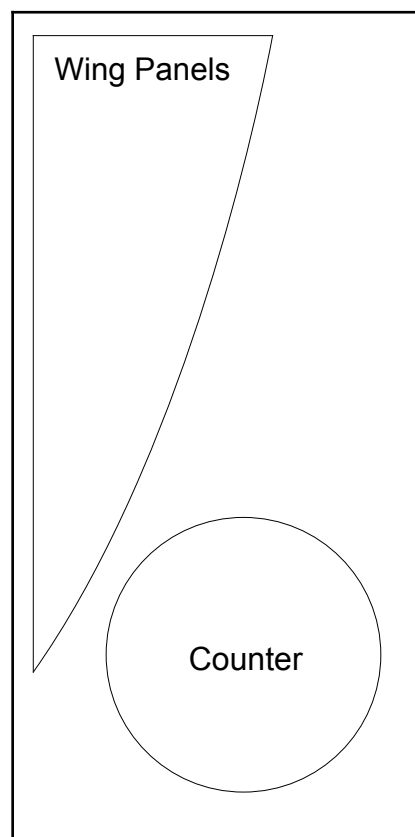
ALL CONNECTIONS MUST
BE TIGHTLY SECURED

SEG Graphic Installation

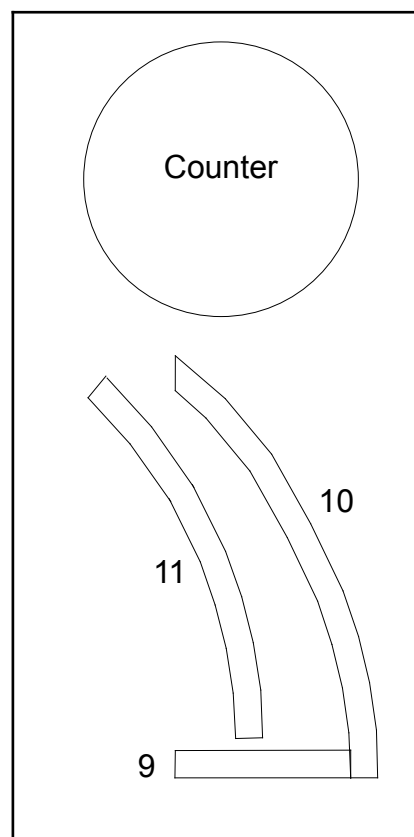
- 1) Locate channels along the edges of extrusions
- 2) Insert graphic corners first into channels then center point of graphic into channels. Allows for proportional fit around the perimeter of the extrusion.
- 3) Working from center to corner, slide silicon edge on graphic into channel.
- 4) After all edges of graphic have been inserted into channels, step back and assess graphic fit, make adjustments where needed.



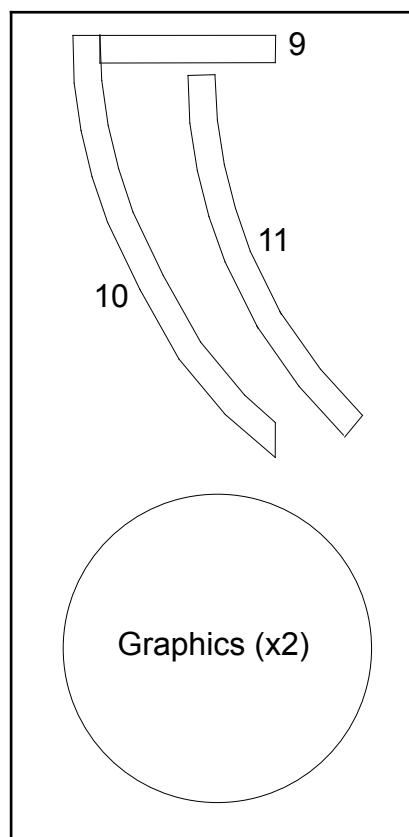
Top View of Each Level



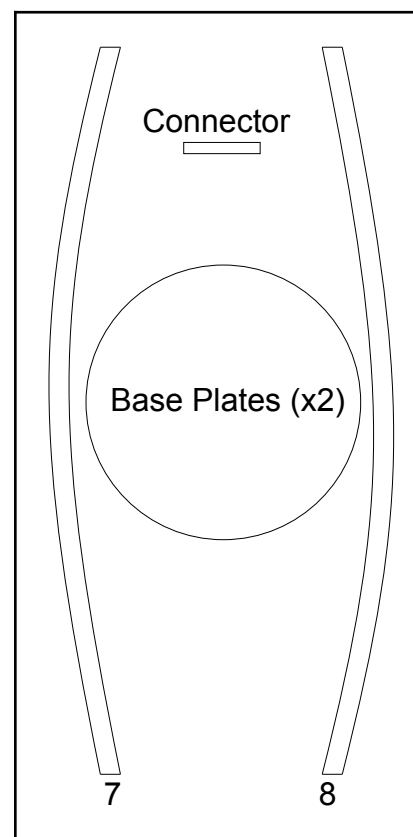
Level 1



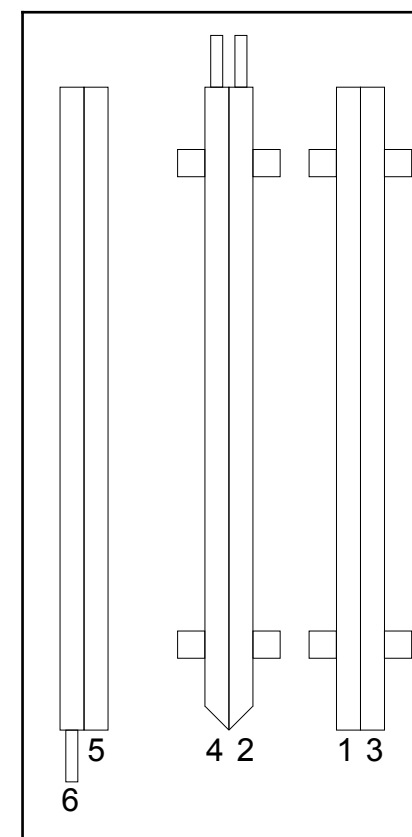
Level 2



Level 3



Level 4



Level 5

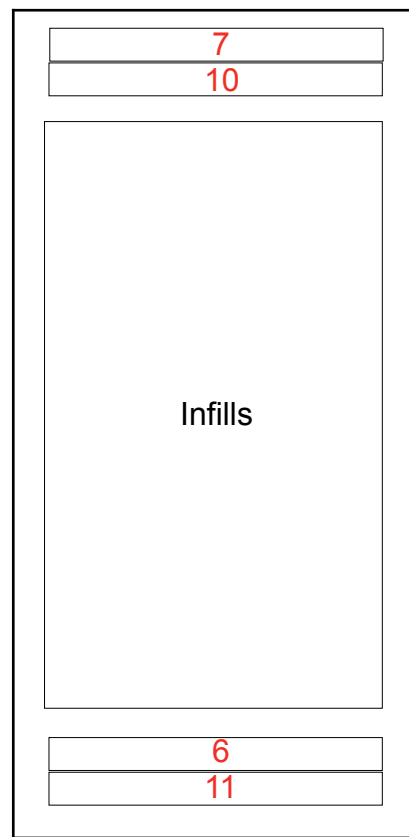
Halogen Lights

Graphics

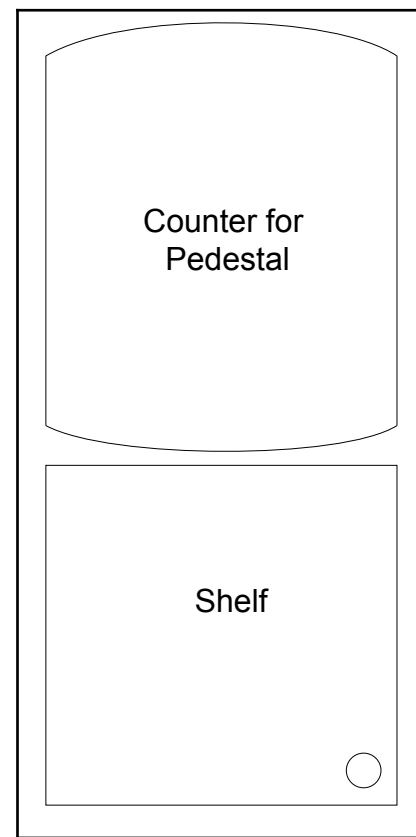
Monitor Mounts

Setup Hardware

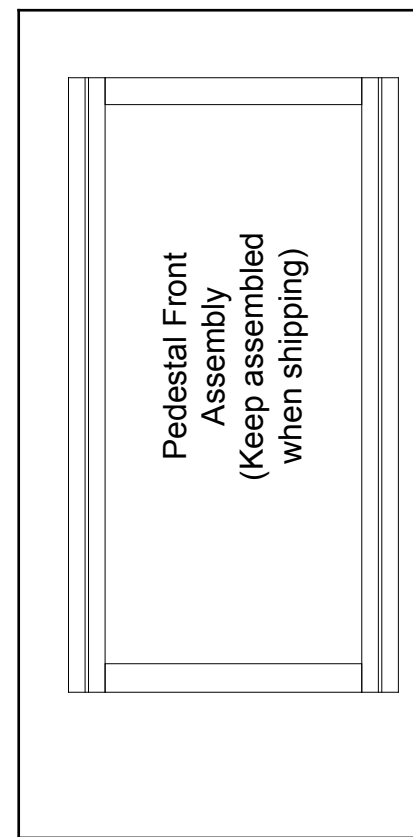
Top View of Each Level



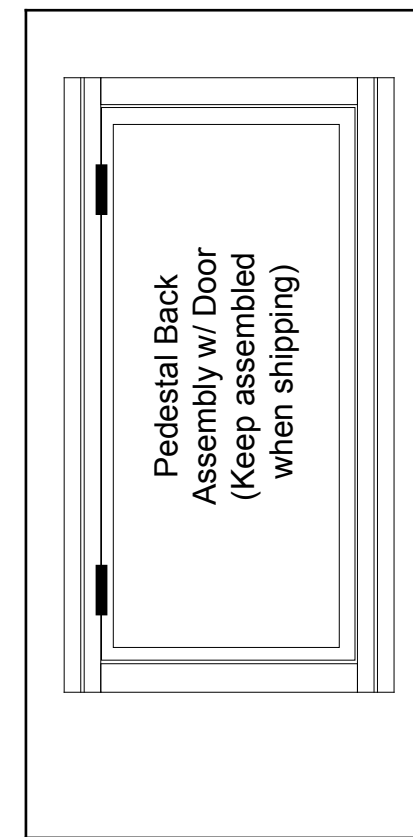
Level 1



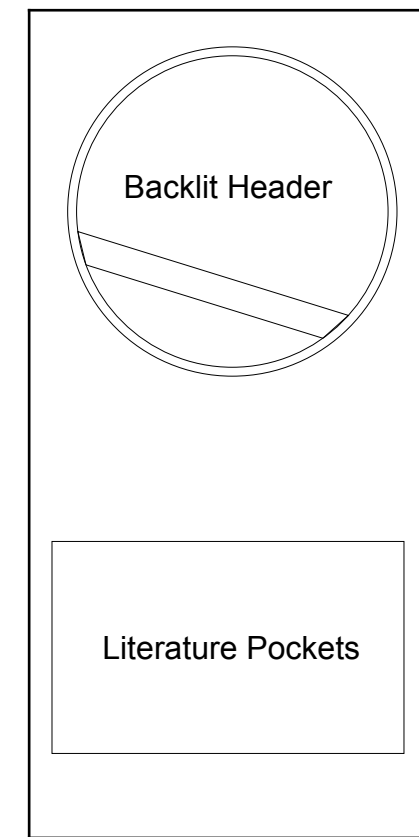
Level 2



Level 3



Level 4



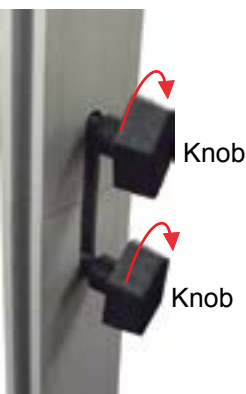
Level 5

Item	Qty.	Description
1	2	Base Plates
2	1	39" Vertical extrusion
3	1	39" Vertical extrusion top left outside cut
4	1	39" Vertical extrusion
5	1	39" Vertical extrusion top right outside cut
6	1	41" Horizontal extrusion
7	1	41" Horizontal extrusion
8	1	41" Top left curved extrusion
9	1	41" Top right curved extrusion

Steps:

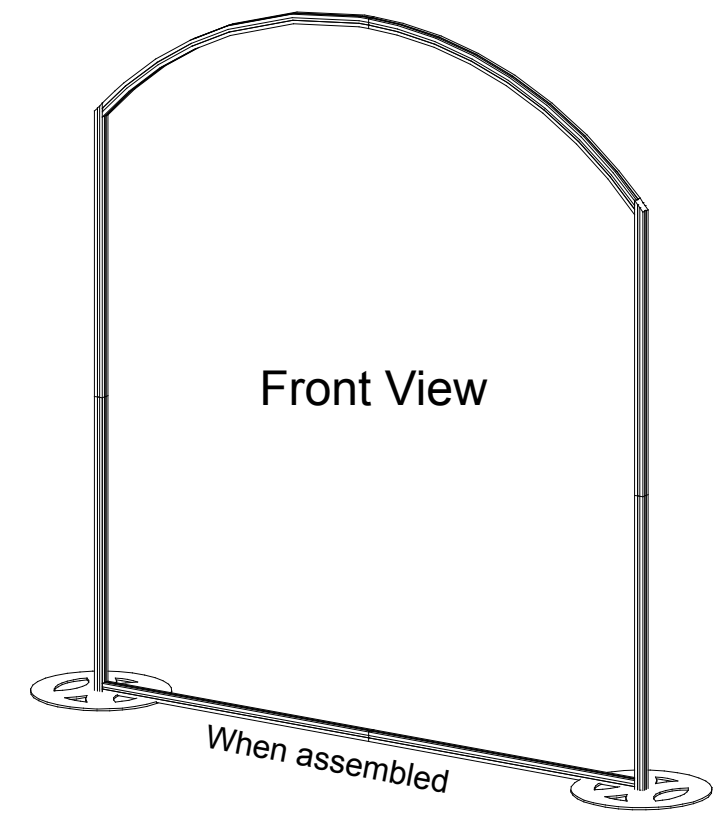
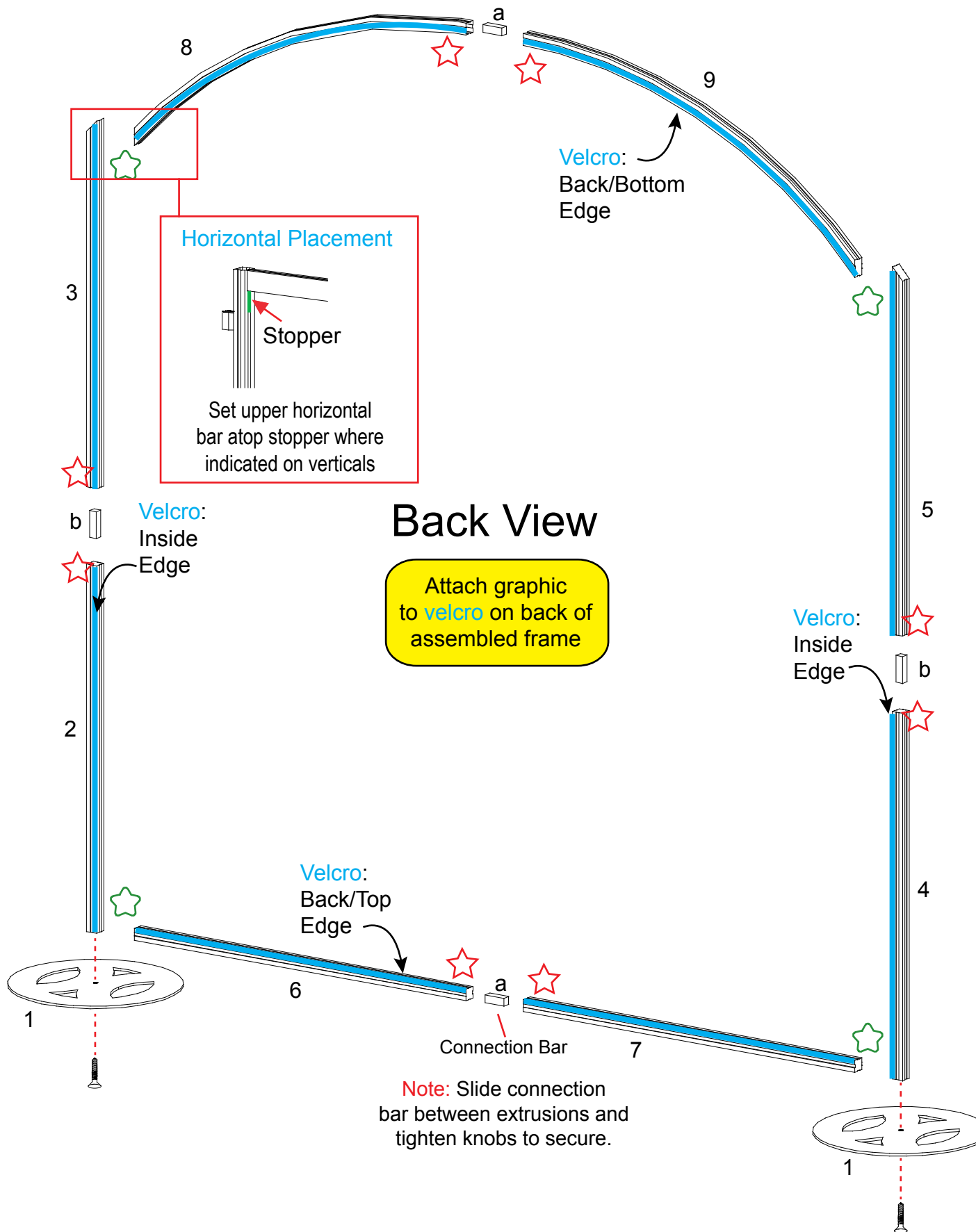
- 1) Attach base plates [1] to lower verticals [2,4].
- 2) Connect upper verticals [3,5] with connection bars [a].
- 3) Connect horizontals [6,7] with connection bar [a].
- 4) Connect vertical [2/3,4/5] with horizontal assembly [6/7].
- 5) Connect curved extrusions [8,9] with connection bar [a].
- 6) Connect curved assembly [8/9] between verticals [2/3,4/5].
- 7) Attach Graphic to velcro on back of frame as shown.

☆ indicates location of knobs on BACKSIDE of unit.



Turn Knob Clockwise to Tighten Lock

Do not over tighten Knobs



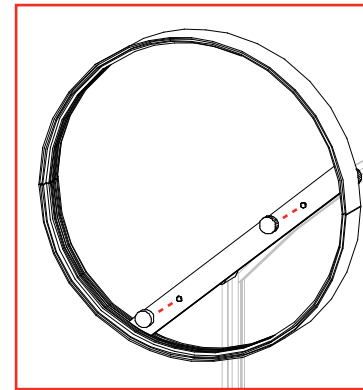
☆ indicates location of connection lock with knob.



**** See attached SEG graphic installation for graphic attachment on circle light box frame.

Steps:

- 1) Attach round lightbox to backwall using stand-offs and caps.
See Light Box Attachment detail.
 - 2) Apply SEG Graphic to the Round lightbox.
- NOTE: See General Information Page for graphic application information and instructions.



*** Light Box Attachment**

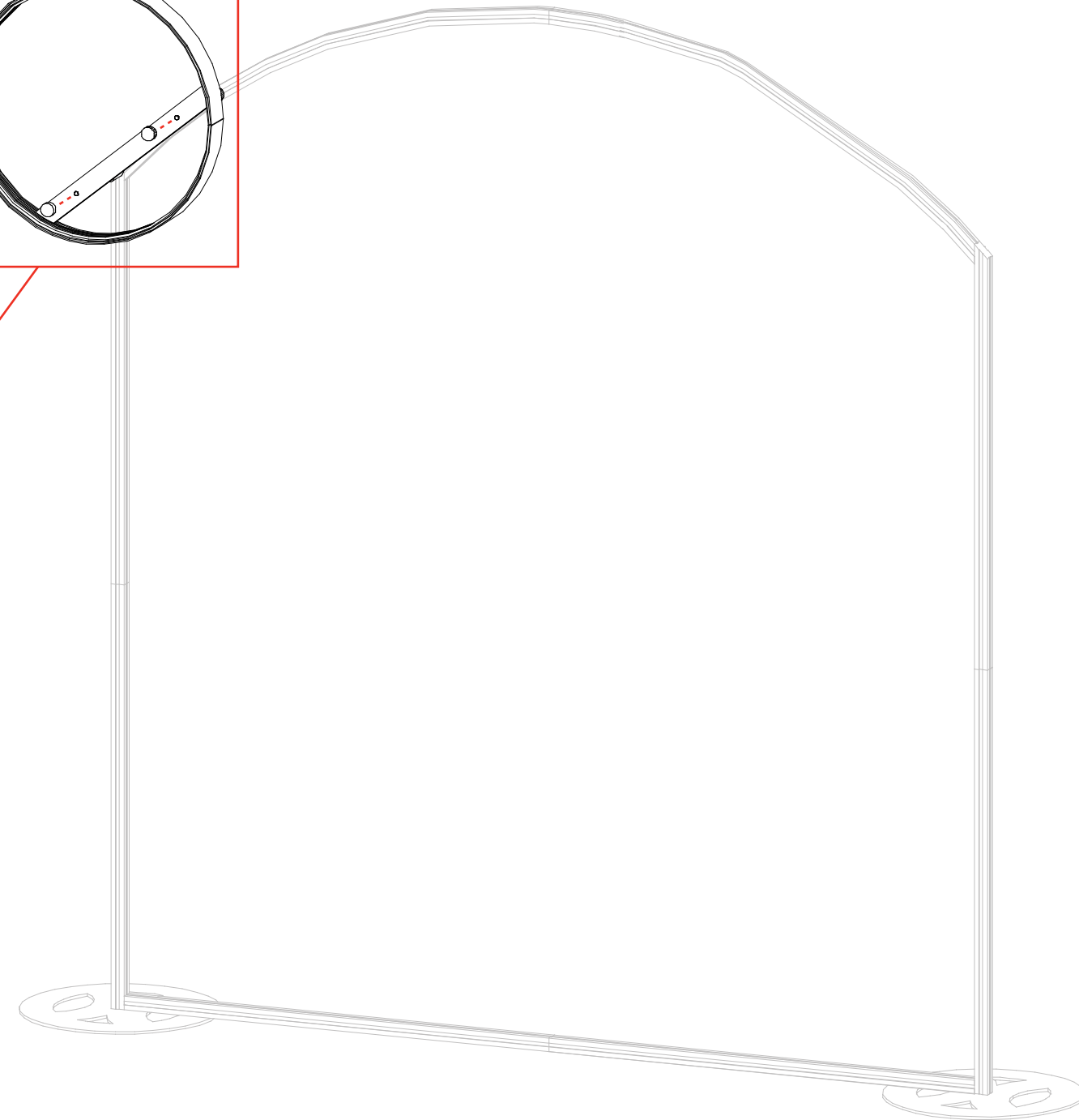
A detailed diagram showing the attachment of a light box to a backwall. On the left, a backwall panel is shown with two stand-off barrels being attached using V20 connectors. On the right, a circular light box frame is shown with a 1/2 inch spacer between the backwall and the frame. Two screw caps are shown being inserted into the frame to secure the stand-off barrels. Red asterisks mark the attachment points.

Stand-Off Barrel

1/2" Spacer

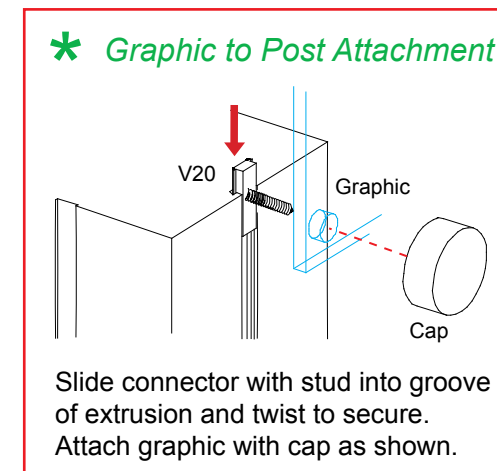
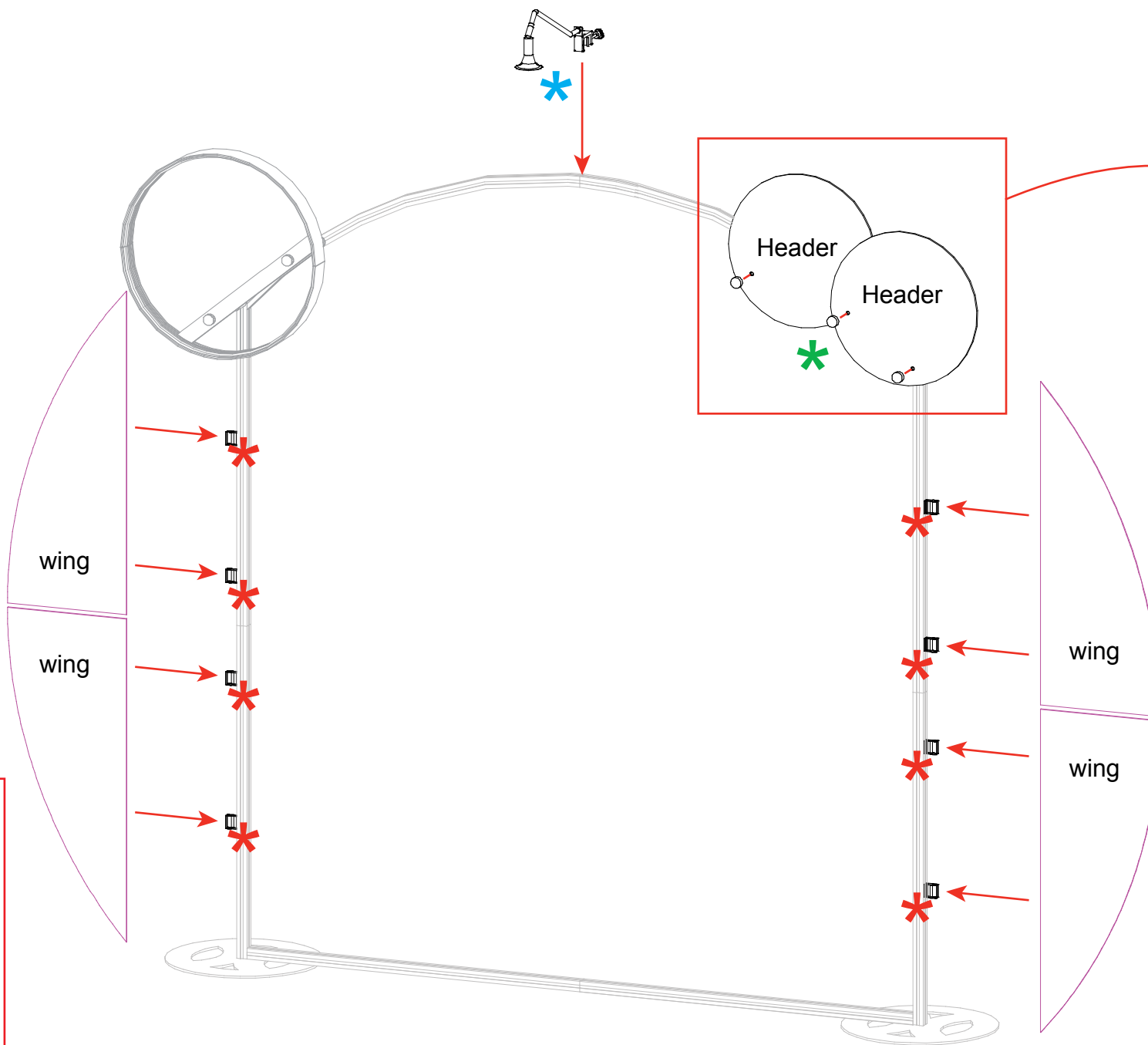
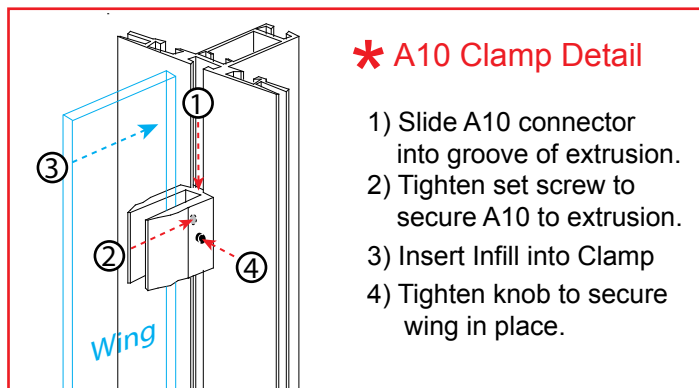
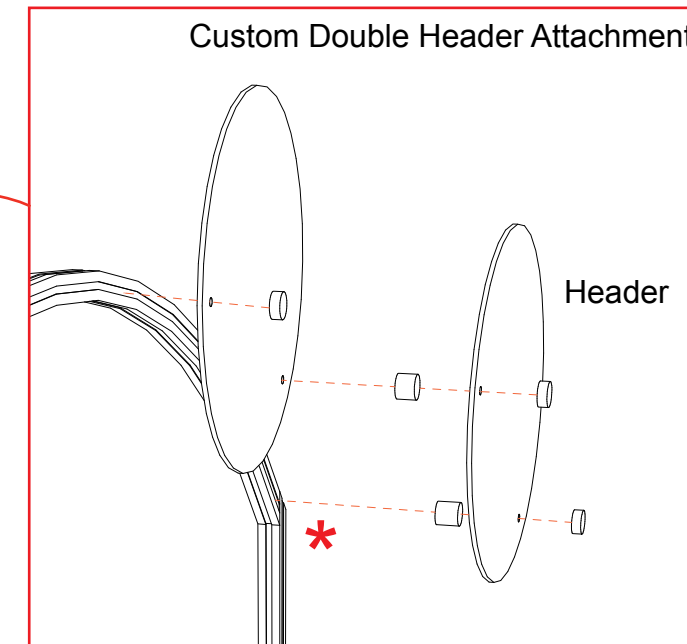
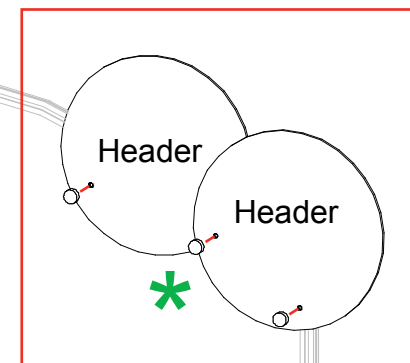
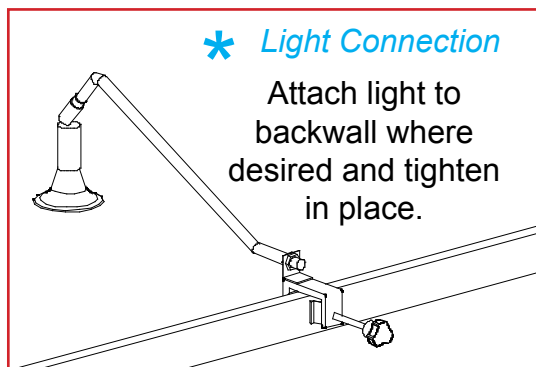
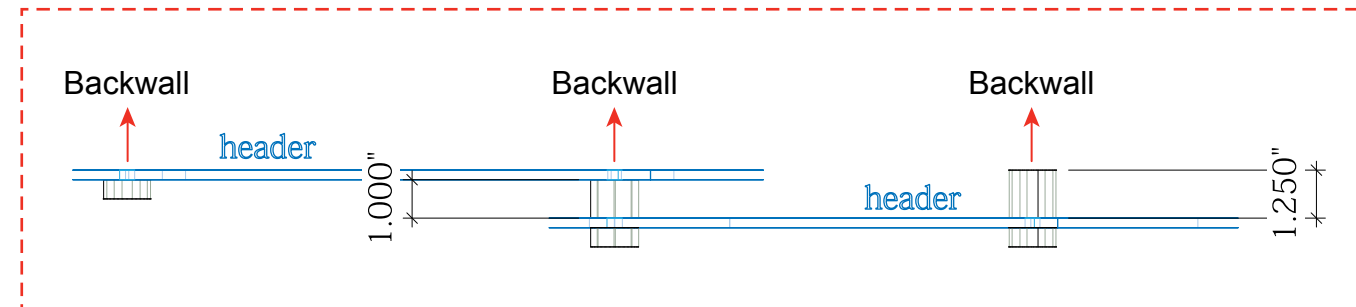
Screw Cap

Attach Standoff Barrels to backwall using V20 connectors; tighten to secure barrels to backwall. Connect frame to standoff barrels using screw caps; tighten screw caps to secure frame to backwall.



Steps:

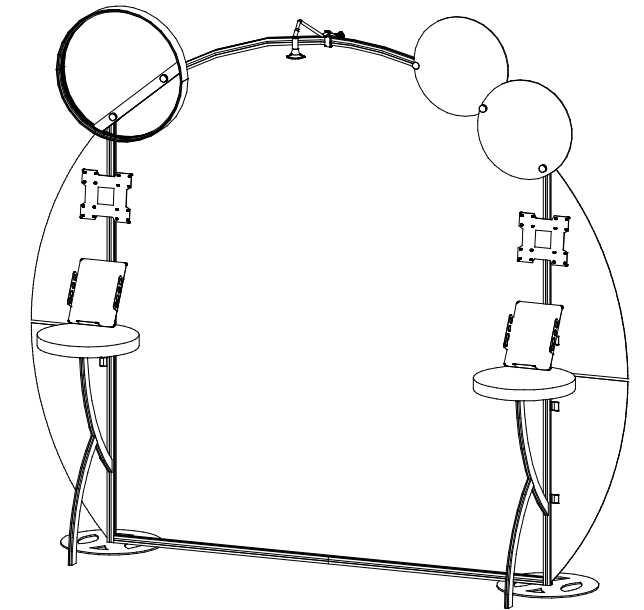
- 1) Attach A10 Clips and wing graphics as shown in *Wing Attachment* detail.
- 2) Connect stand off barrels to backwall then attach circle graphic as shown in *Graphic Attachment* detail.
- 3) Attach Light on top of display as shown in *Light Connection* detail.



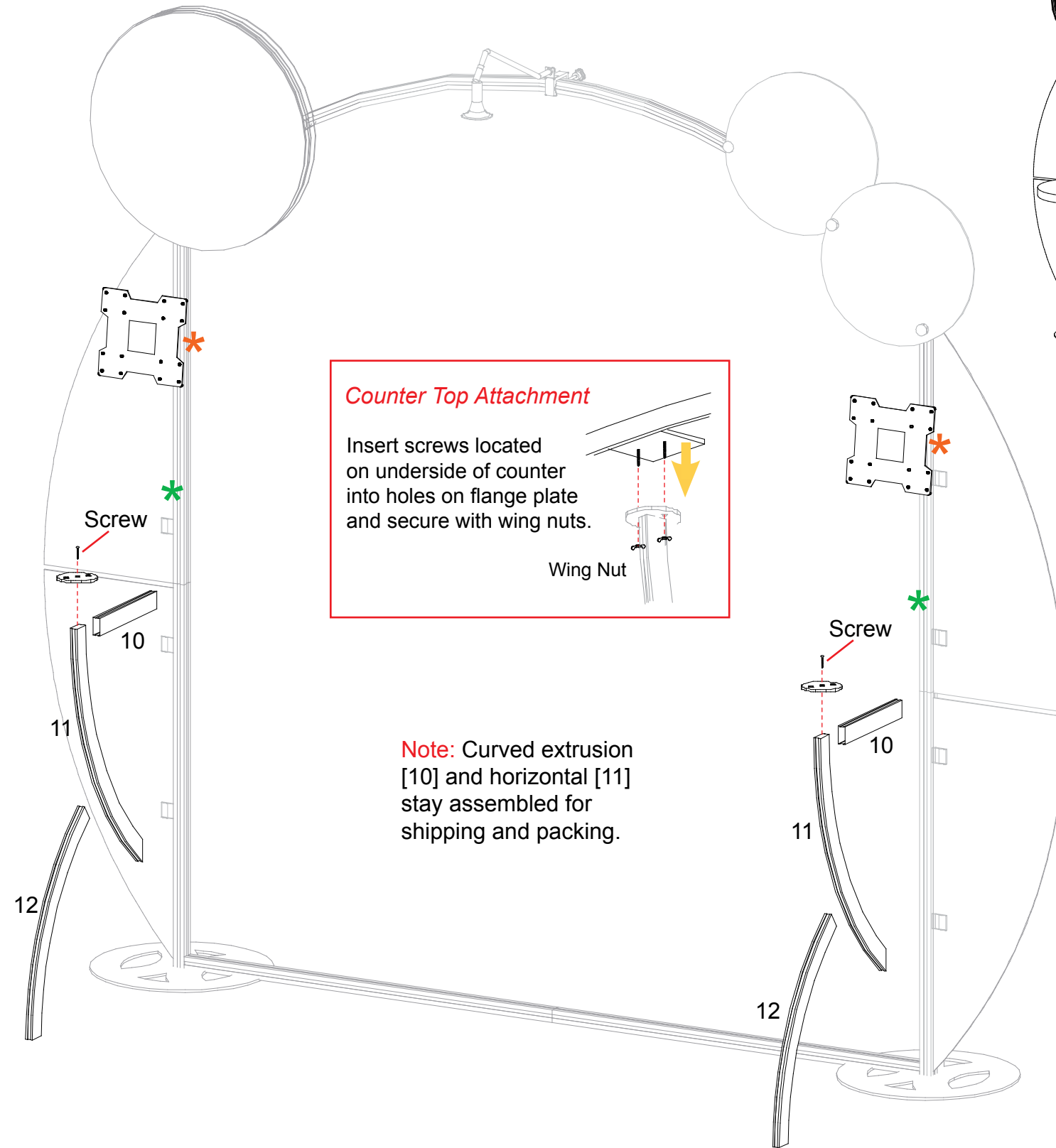
Item	Qty.	Description
10	2	11.5" Horizontal Extrusion
11	2	26.75" Curved Extrusion
12	2	20.3" Curved Extrusion

Steps:

- 1) Attach Curved extrusions [11,12].
- 2) Attach horizontal extrusion [10] to [11/12].
- 3) Connect [10/11/12] to vertical extrusion as shown.
- 4) Screw in top plate to curved extrusion [11] as shown.
- 5) Connect counter top as shown in detail below.
- 6) Attach monitor mounts as shown in detail.
- 7) Attach adjustable pamphlet trays to backwall.
Refer to detail.



When assembled



Counter Top Attachment

Insert screws located on underside of counter into holes on flange plate and secure with wing nuts.

Wing Nut

Note: Curved extrusion [10] and horizontal [11] stay assembled for shipping and packing.

*** Monitor Mount Attachment**

- 1) Attach back plate to monitor.
- 2) Attach bolts to vertical.
- 3) Hang mounting plate from bolts.
- 4) Connect back plate to mounting plate; use bolts, washers, and a nut.

Adjustable Pamphlet Tray Attachment

Tighten Lock to Secure

Attach connector piece to tray as shown. Then connect assembled pamphlet tray to vertical extrusion.

Item	Qty.	Description
1-2	1ea.	38" Vertical Extrusion w/ cut
3-4	1ea.	38" Vertical Extrusion
5	1	18.9" Horizontal Extrusion
6-7	1ea.	18" Horizontal Extrusion
8	1	20" Horizontal Extrusion
9	1	22.5" Curved Extrusion
10-11	1ea.	18" Horizontal Extrusion
12	1	20" Horizontal Extrusion

Steps:

- 1) Attach lower horizontals [5,6,7,8] between verticals [1,2,3,4] as shown.
- 2) Attach door using pins as shown in *Door Attachment* detail.
- 3) Insert infills as shown.
- 4) Attach upper horizontals [9,10,11,12] between verticals.
- 5) Place counter on top.
- 6) Attach pamphlet trays to verticals [1,2] as shown. Refer to *Adjustable Pamphlet Tray Attachment* detail.

