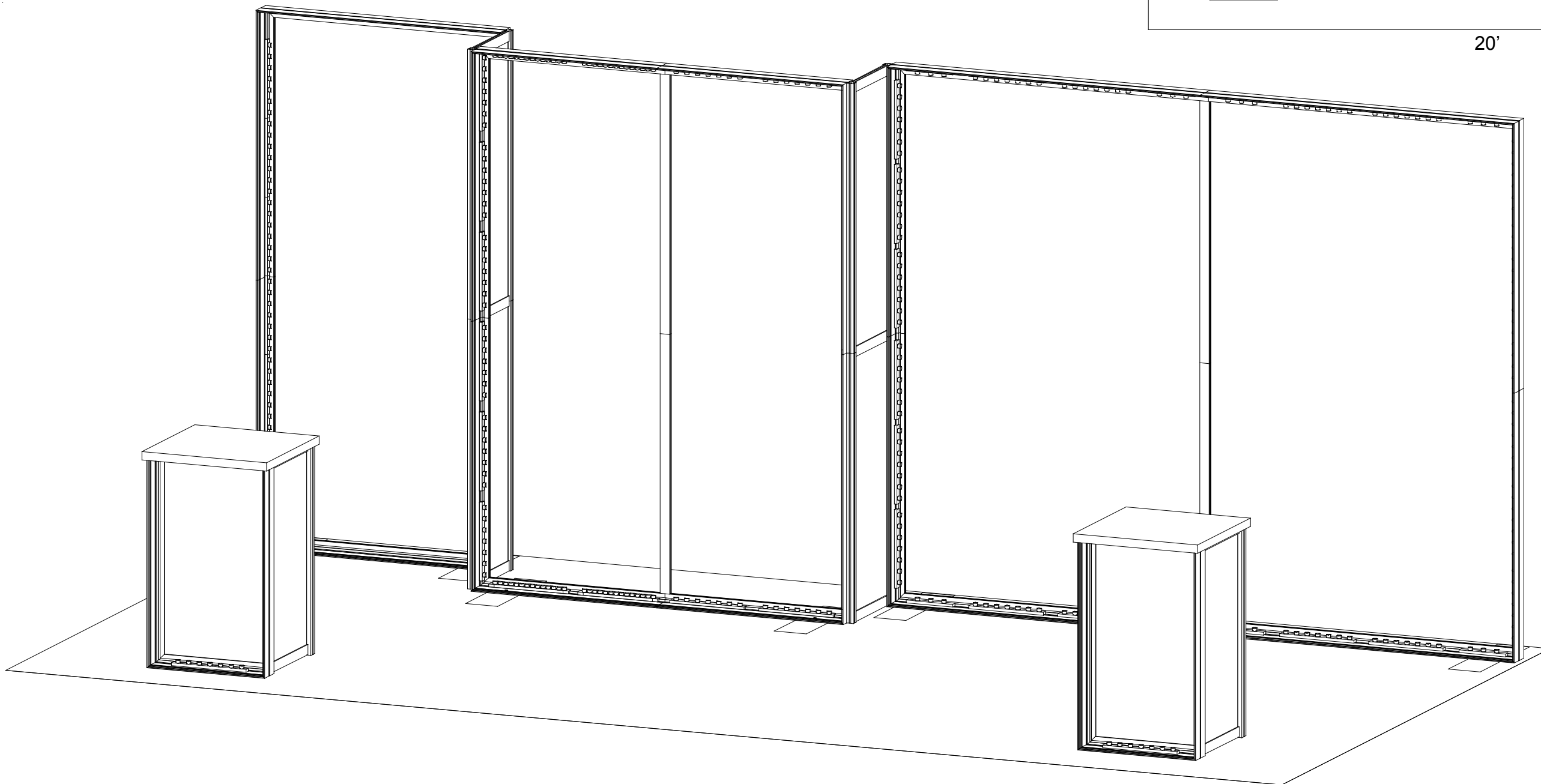


20'

10'

Plan View



## General Setup Instructions

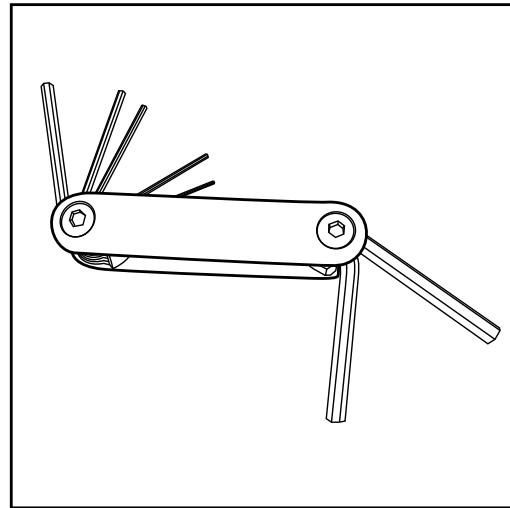
- Read entire setup instruction manual prior to unpacking parts and pieces.
- The setup instructions are created specifically for this configuration.
- Setup instructions are laid out sequentially in steps, including exploded views with detailed explanation for assembly.

## Cleaning & Packing

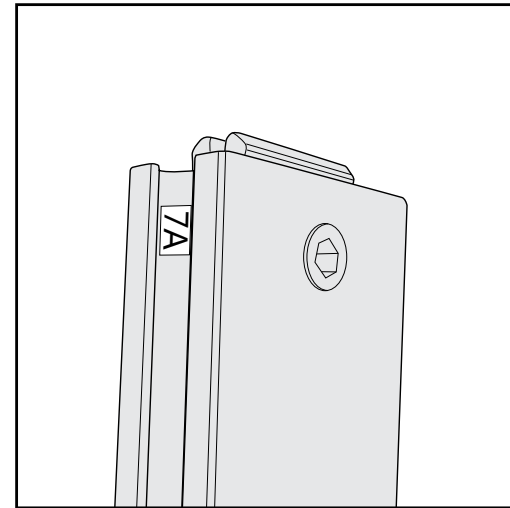
- For Cleaning Metal, Plex, & Laminate Parts: Use a **MILD NON-ABRASIVE** cleanser and soft cloth/paper towel to clean all surfaces.
- Keep exhibit components away from heat and prolonged sun exposure.  
**Heat and UV exposure will warp and fade components.**
- Retain all provided Packing Materials. All provided packing materials are for ease of repacking & component protection.

## Disassembly

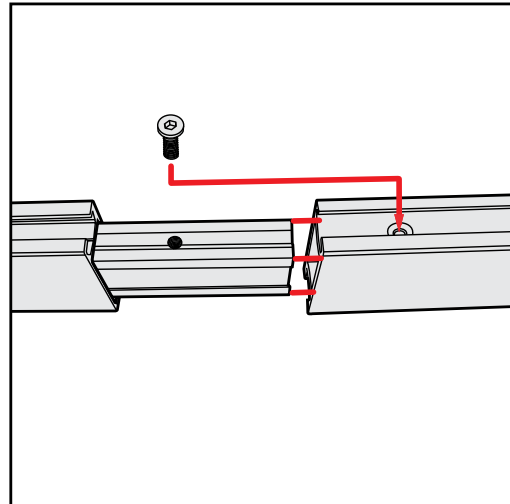
- For loss prevention, tighten all setscrews and locks during disassembly



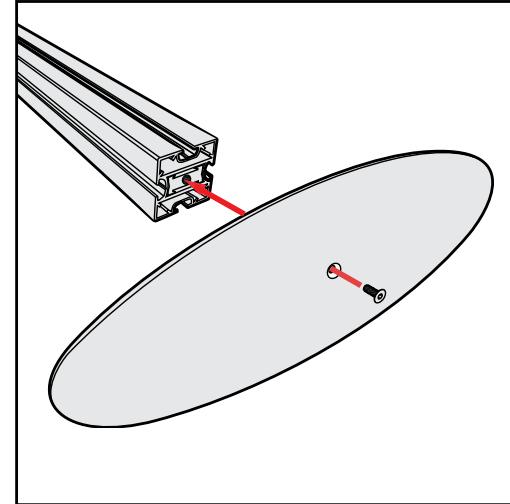
Hex Tool - Essential for Assembly



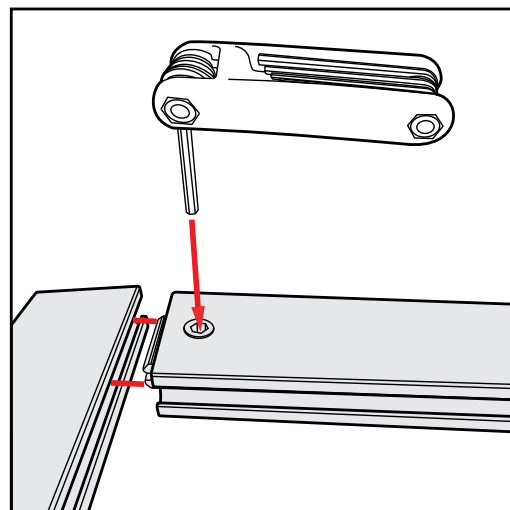
Part Identification - Numbering



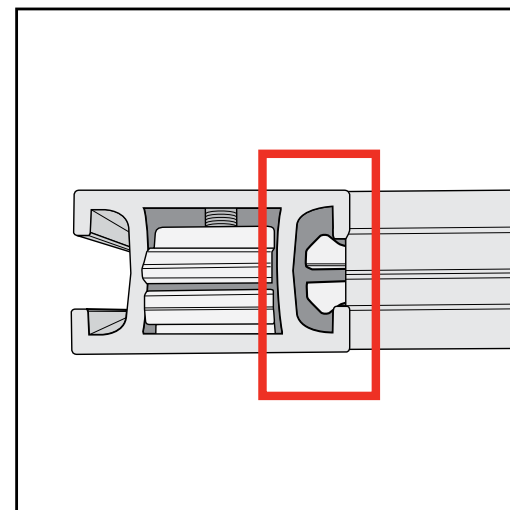
Spline Connection



Base Plate & Extrusion Connection



Extrusion & Lock Connection



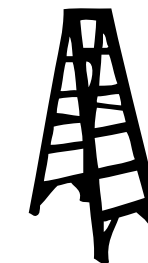
Engaged Lock



# WARNING



DO NOT USE POWER TOOLS

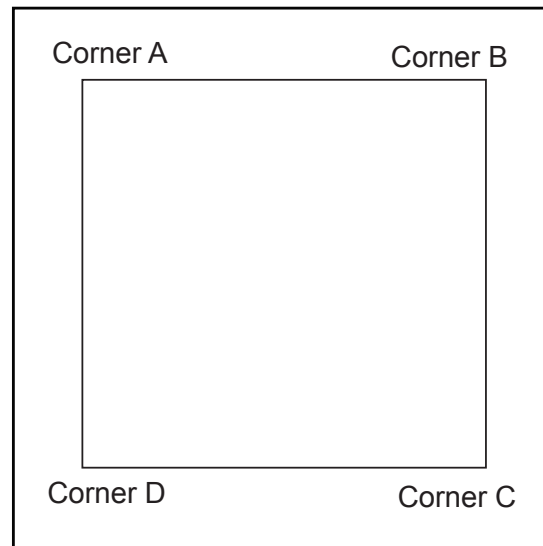


LADDERS OR LIFTS  
MAY BE REQUIRED

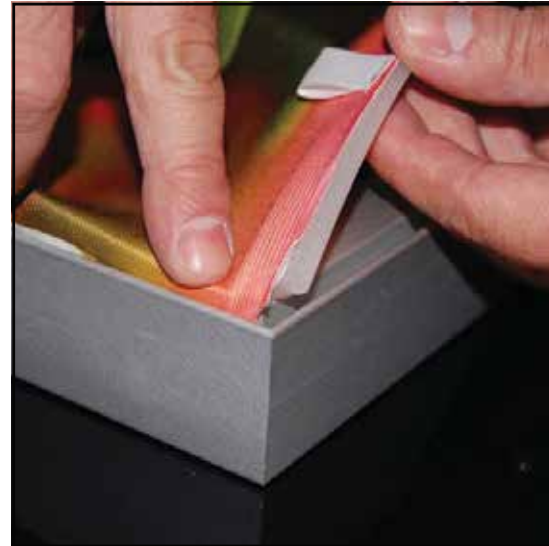


ALL CONNECTIONS MUST  
BE TIGHTLY SECURED

## SEG Graphic Installation



It is important to first insert graphic into each alternate corner then to the sides of the frame. If this is not done, graphic will not fit into the frame correctly.



**Step 1**  
Insert corner A. Turn edge of graphic so silicon welt is perpendicular to face of graphic. Insert narrow side of welt with fabric to outside into the channel. Repeat for other side of this corner.

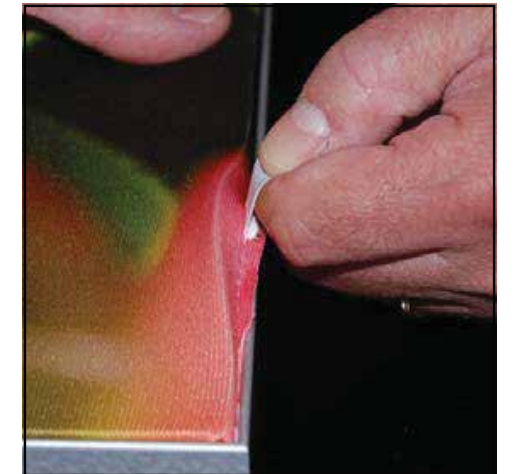


**Step 2**  
Repeat Step 1 for opposite corner C, then insert corner B, followed by corner D, to complete the installation of the corners.



**Step 3**  
Once all corners are inserted, press one silicon edge into channel from corners and work toward the center. Make sure welt is fully inserted into channel. Continue until all sides are done. Smooth out edges of graphic.

## Graphic Removal



To remove the graphic from the frame, locate the fabric pull tab. Gently pull up on the tab to remove the fabric.

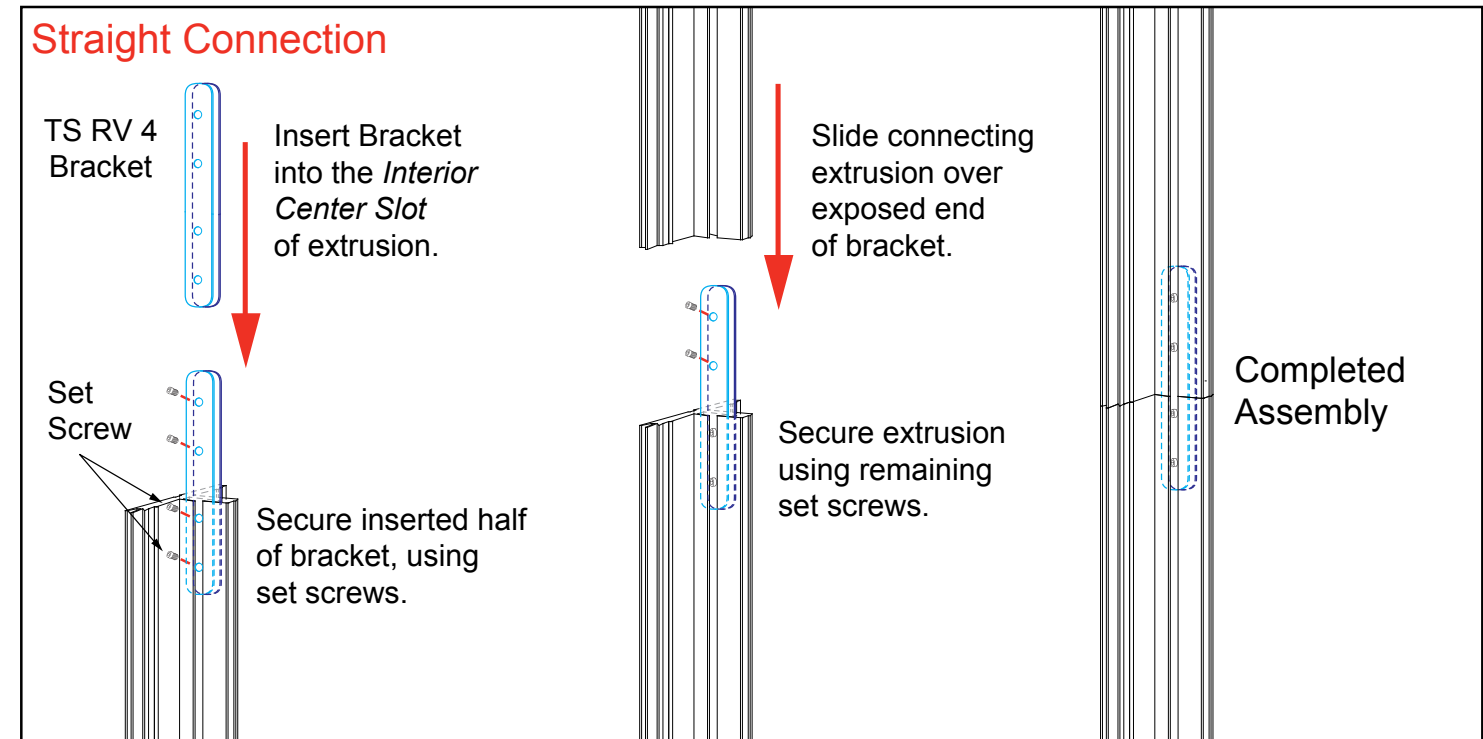
# CEI-110 Frames Assembly

## Straight Bracket Installation (when required)

- 1) Slide TWO-PIECE **TS RV 4** straight bracket into Interior Center Slot of extrusion so that two of the set screws are inside groove. Tighten two set screws to secure.
- 2) Slide connecting extrusion over exposed end of bracket. Tighten two remaining set screws to secure.



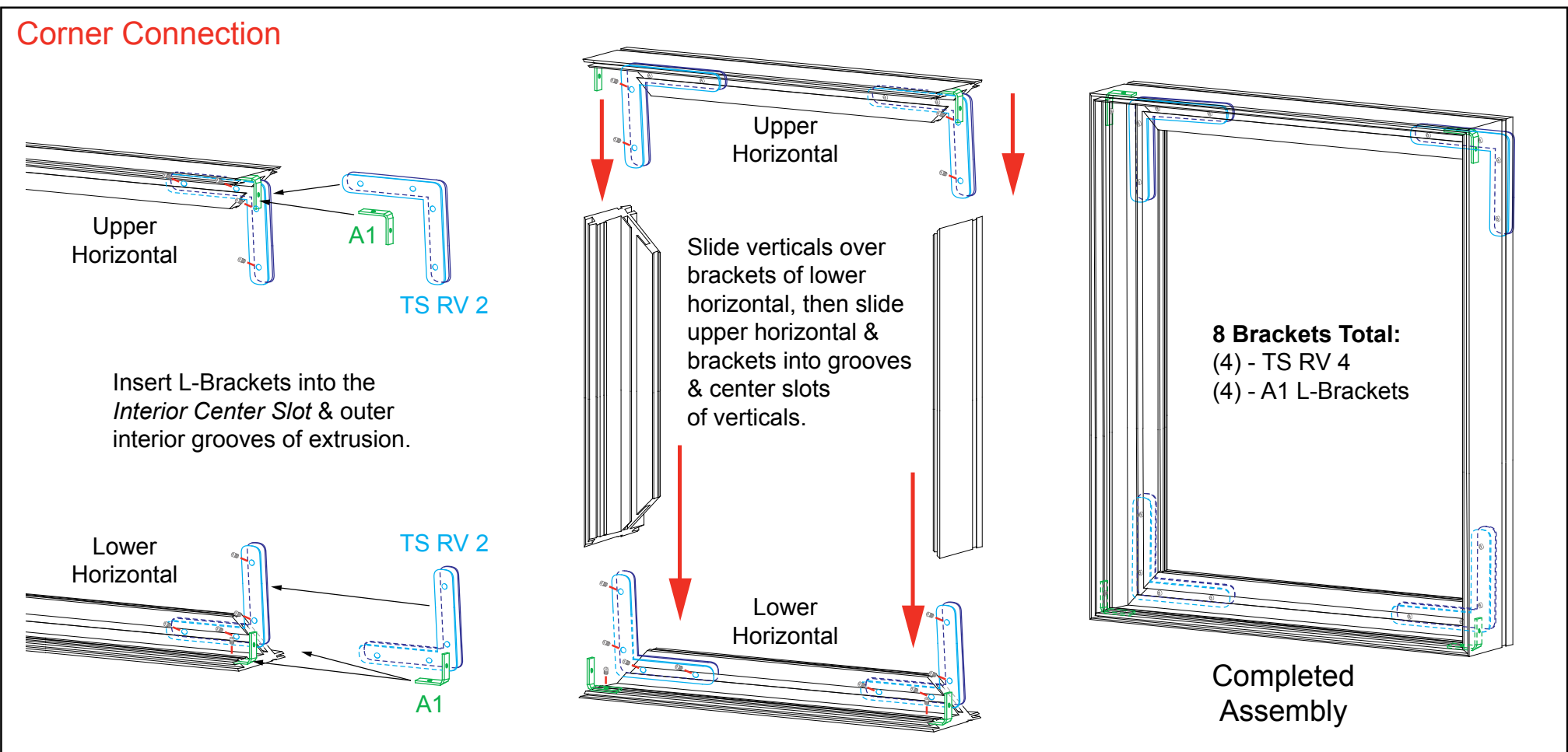
### Straight Connection



## Corner Bracket Installation

- 1) Slide TWO-PIECE **TS RV 2** L-bracket into Interior Center Slot of extrusion so that two set screws are inside groove. Tighten two set screws to secure.
- 2) Slide one A1 L-Bracket into outer interior grooves of upper and lower horizontals. Tighten set screws to secure.
- 3) Slide vertical extrusion over exposed ends of brackets in lower horizontal. Tighten set screws to secure.
- 4) Slide exposed ends of installed brackets of upper horizontal into open ends of verticals. Tighten set screws to secure.

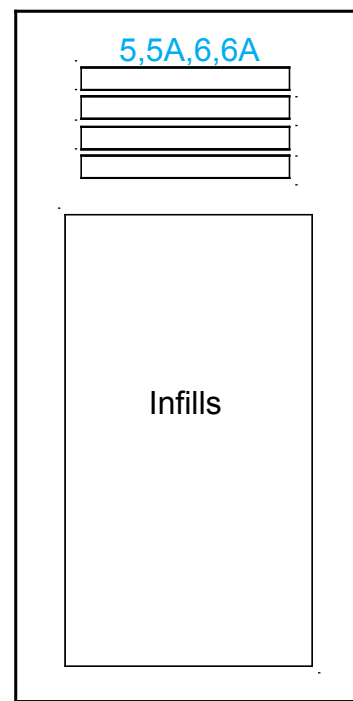
### Corner Connection



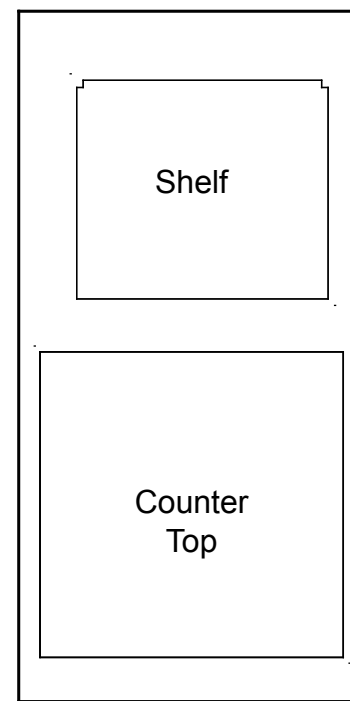
## Disassembly

- 1) Loosen set screws on brackets, then slide extrusions off of brackets.

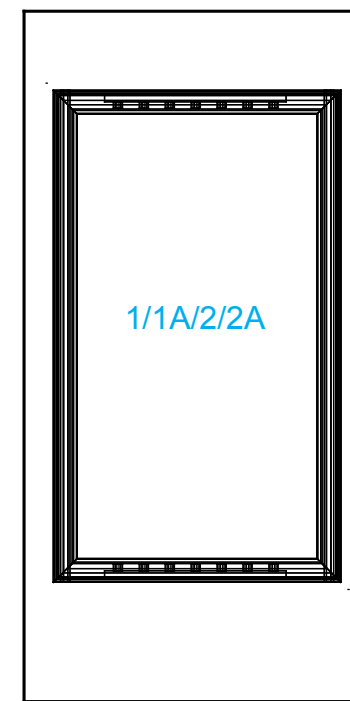
### Top View of Each Level



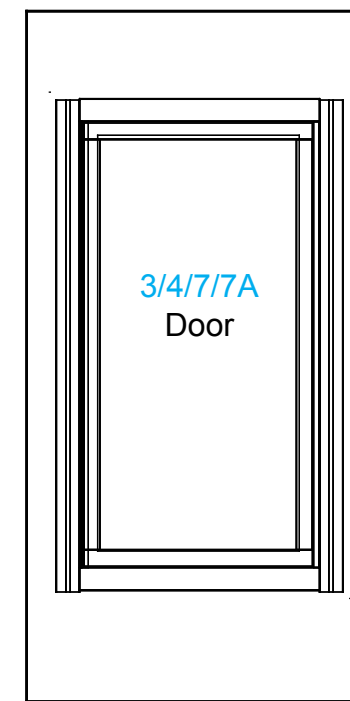
Level 1



Level 2

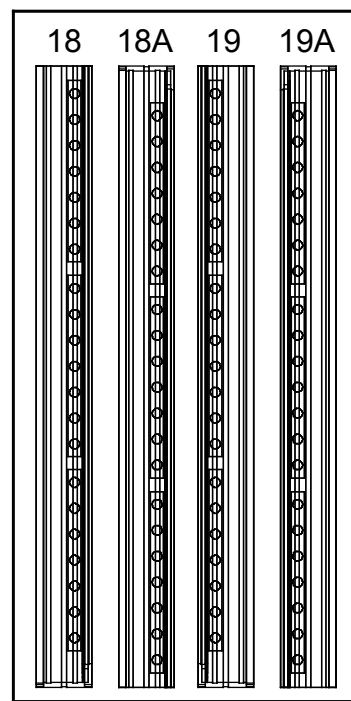


Level 3

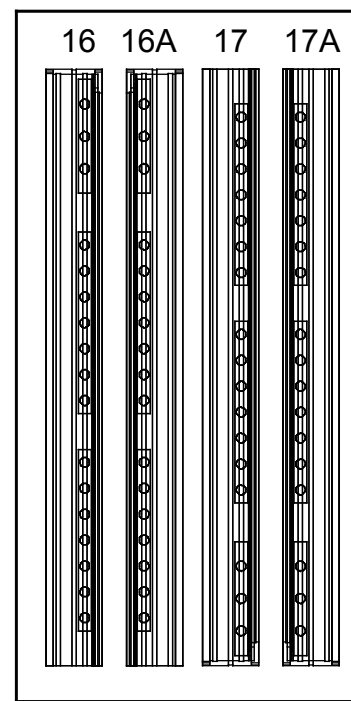


Level 4

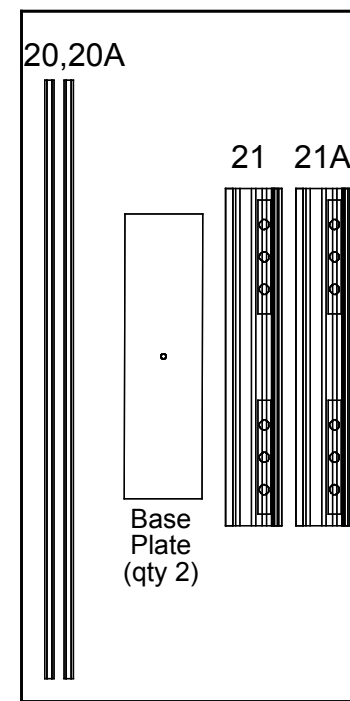
### Top View of Each Level



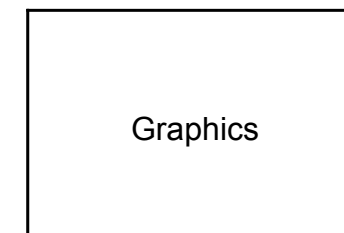
Level 1



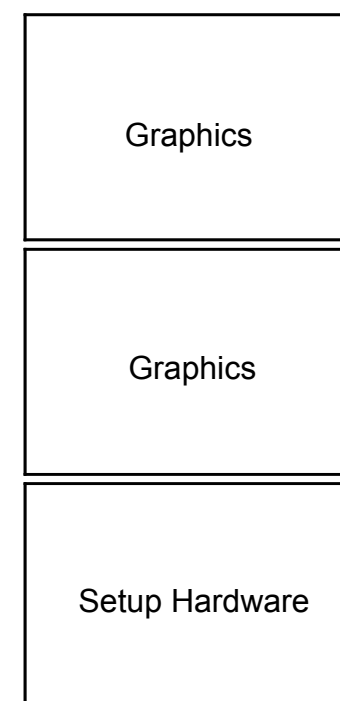
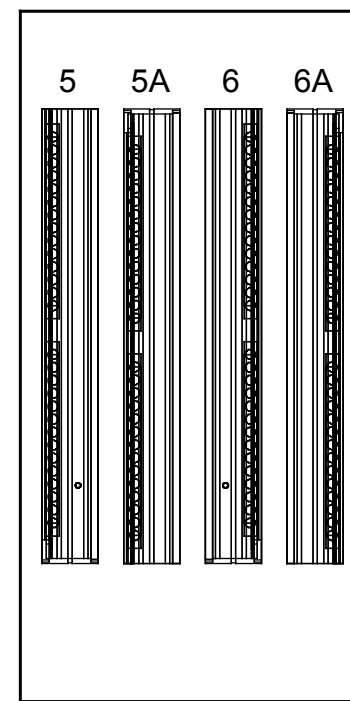
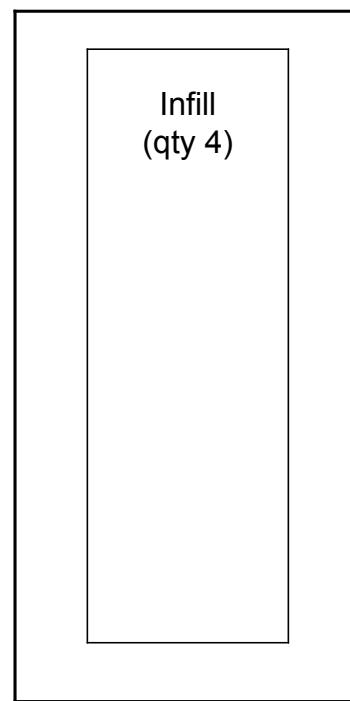
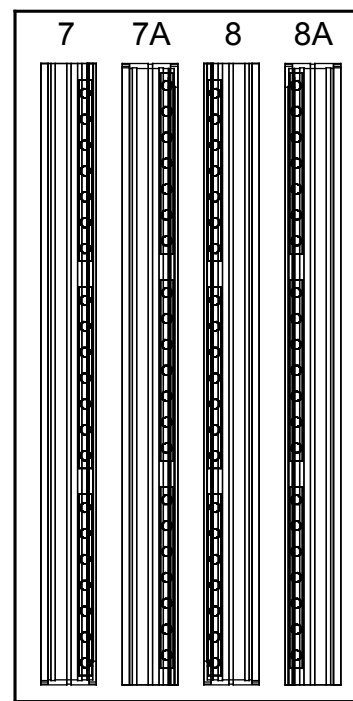
Level 2



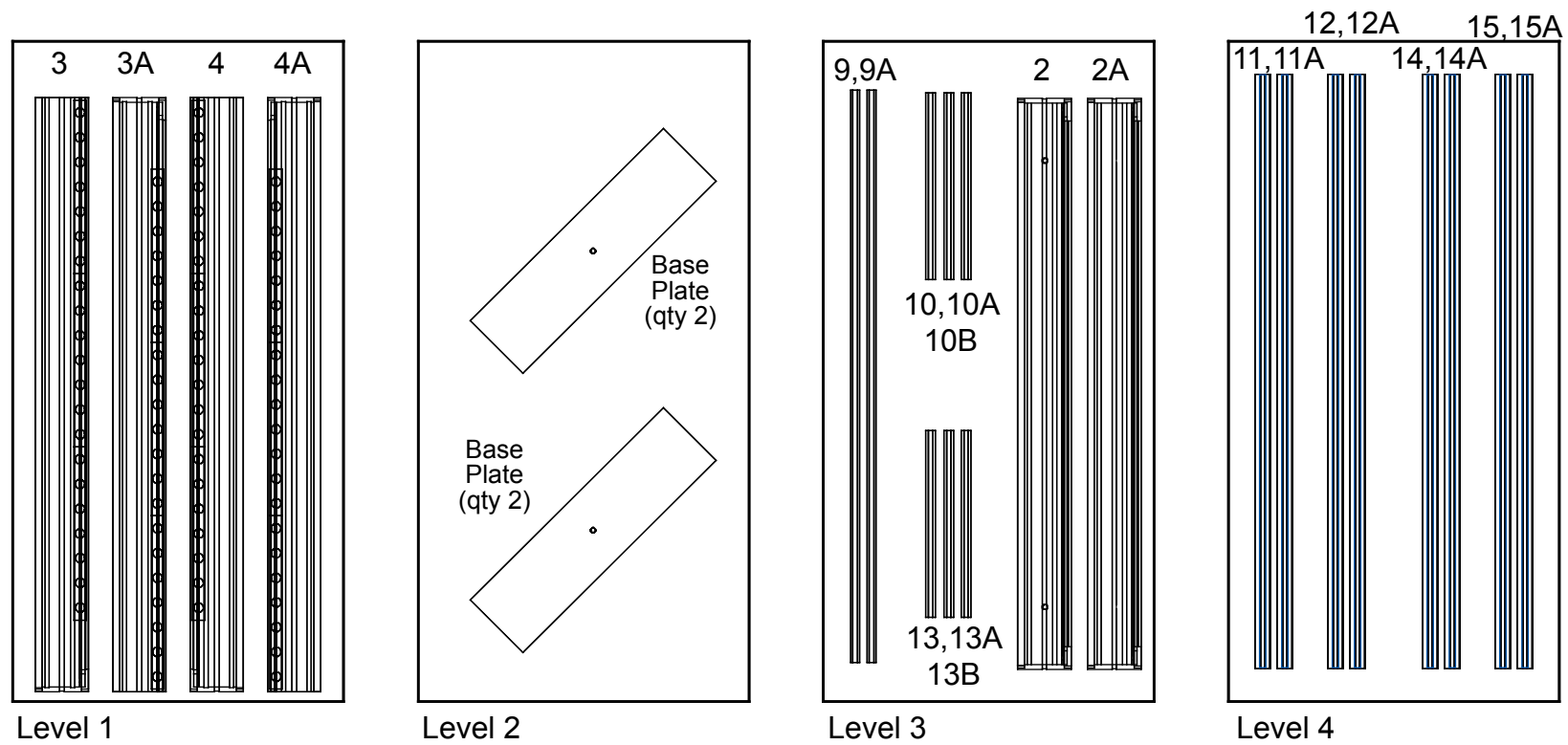
Level 3



### Top View of Each Level

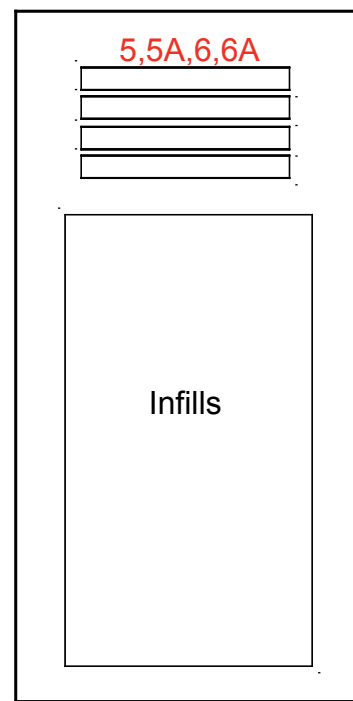


### Top View of Each Level

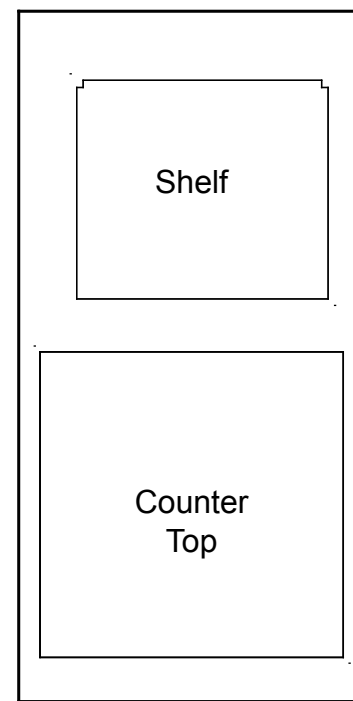




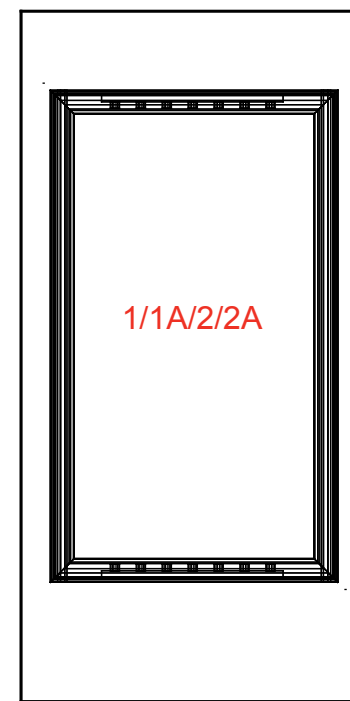
### Top View of Each Level



Level 1



Level 2



Level 3



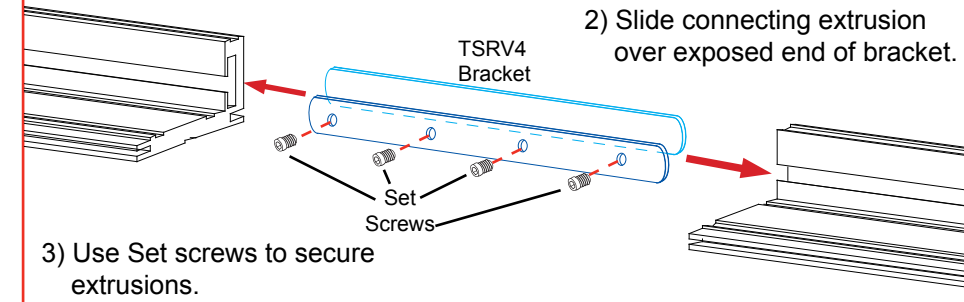
Level 4

Item	Qty.	Description
1,1A	2,2	Base Plate
2/2A	1/1	46" w CEI110 Horizontal Extrusion
3/3A	1/1	48" h CEI110 Vertical Extrusion
4/4A	1/1	48" h CEI110 Vertical Extrusion
5/5A	1/1	35" w CEI110 Horizontal Extrusion
6/6A	1/1	35" w CEI110 Horizontal Extrusion
7/7A	1/1	48" h CEI110 Vertical Extrusion
8/8A	1/1	48" h CEI110 Vertical Extrusion
9/9A	1/1	46.1767" h Z45 Vertical Extrusion

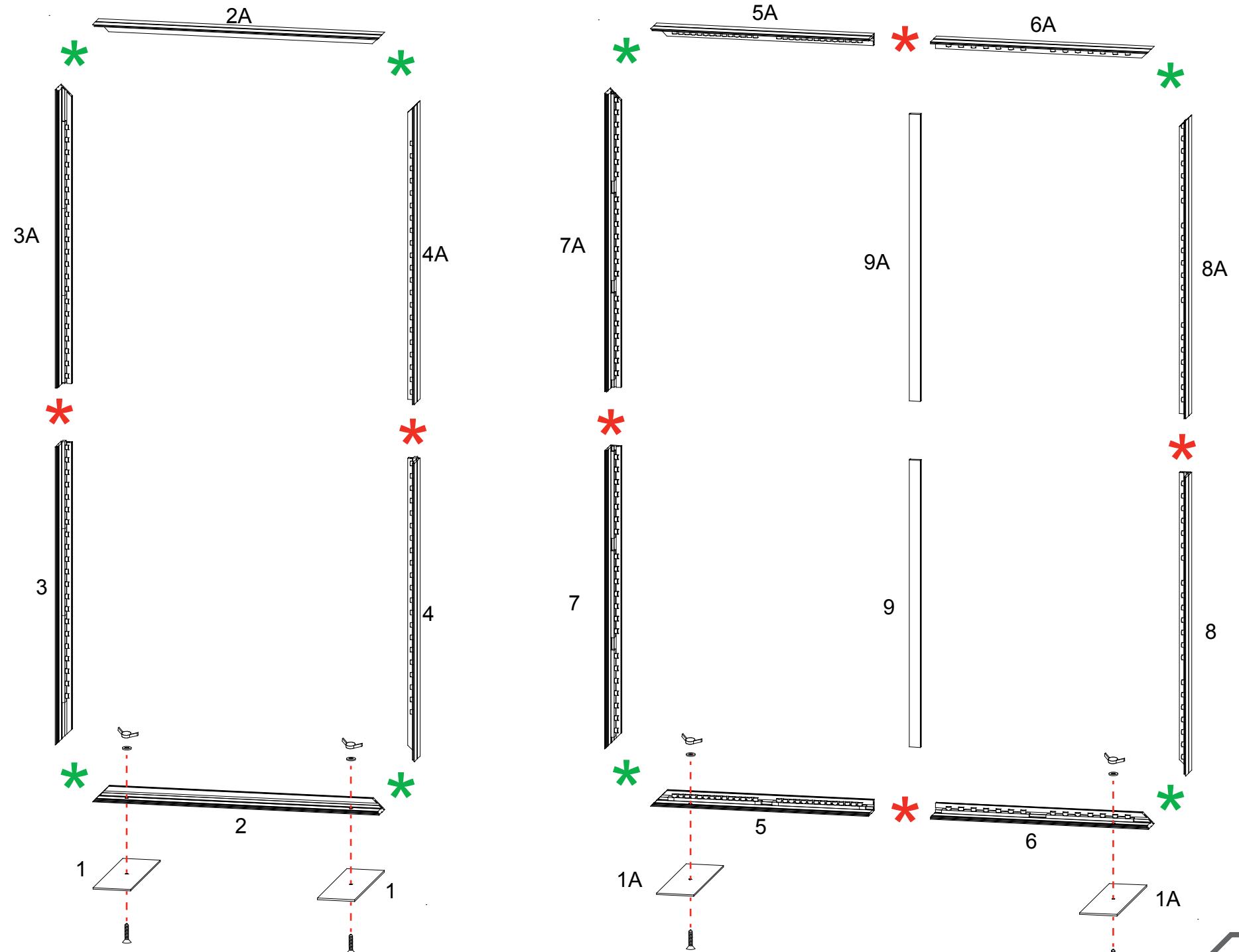
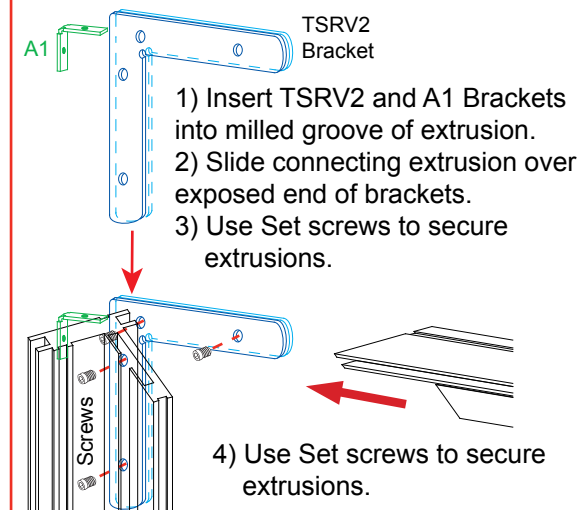
**Steps:**

- 1) Attach Base Plates [1] to horizontal [2] using bolts & wing nuts.
- 2) Connect verticals [3-3A], [4-4A] together. See **CEI-110 Straight Connection** detail.
- 3) Attach horizontals [2,2A] between vertical assemblies [3/3A] & [4/4A]. See **CEI-110 Corner Connection** detail.
- 4) Connect horizontals [5-6], [5A-6A] together, & connect verticals [7-7A], [8-8A] together. See **CEI-110 Straight Connection** detail.
- 5) Attach Base Plates [1A] to horizontal assembly [5/6], using bolts & wing nuts.
- 6) Attach horizontal assemblies [5/6], [5A/6A] between vertical assemblies [7/7A], [8/8A]. See **CEI-110 Corner Connection** detail.
- 7) Connect verticals [9,9A] between horizontal assemblies [5/6], [5A/6A].

**\* CEI-110 Straight Connection**



**\* CEI-110 Corner Connection**



Item	Qty.	Description
10, 10A, 10B	1/1	15"w Z45 Horizontal Extrusion
11/11A	1/1	48"h S40 Vertical Extrusion
12/12A	1/1	48"h S40 Vertical Extrusion
13, 13A, 13B	1/1	15"w Z45 Horizontal Extrusion
14/14A	1/1	48"h S40 Vertical Extrusion
15/15A	1/1	48"h S40 Vertical Extrusion
--	6	48"h V31 Connector

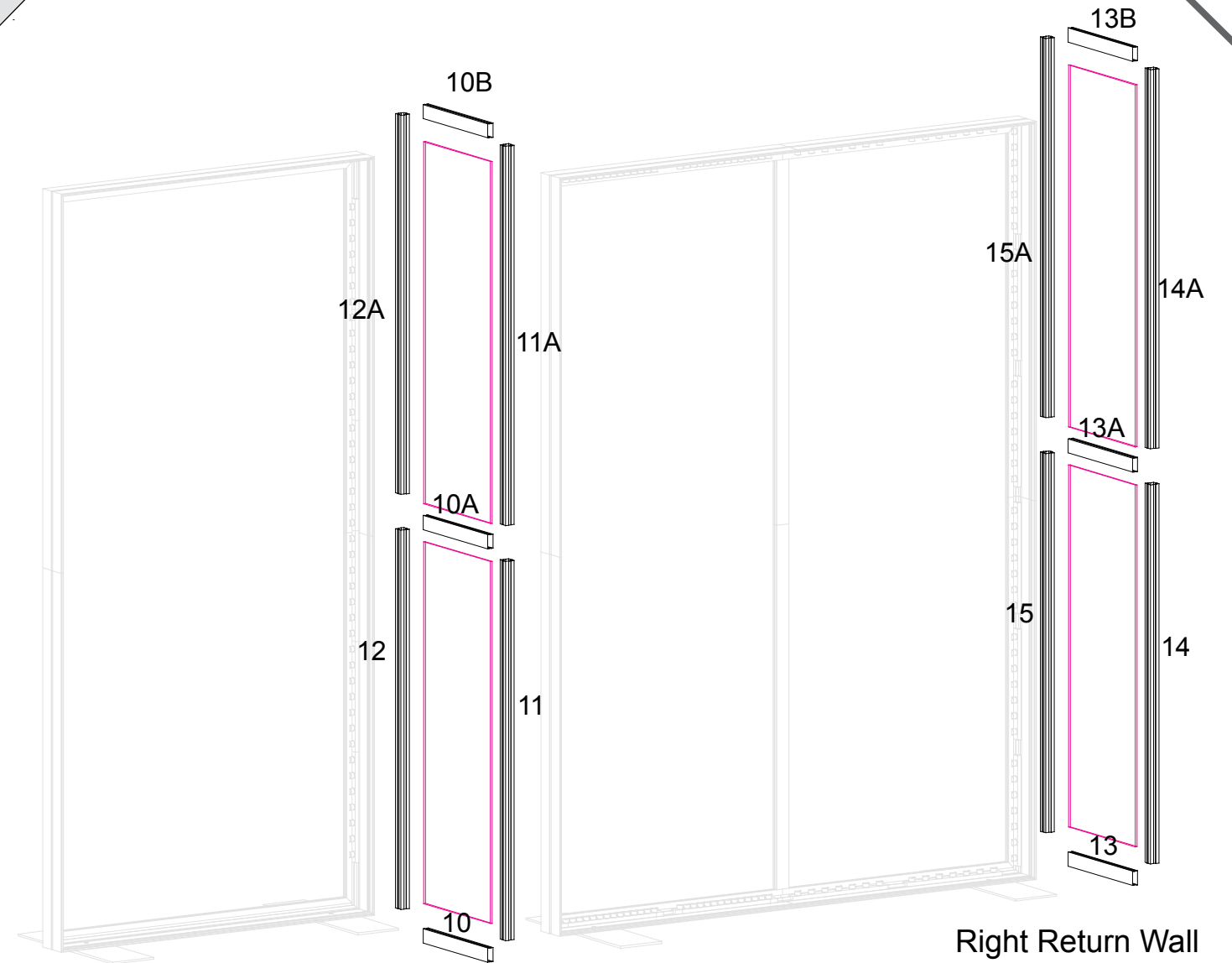
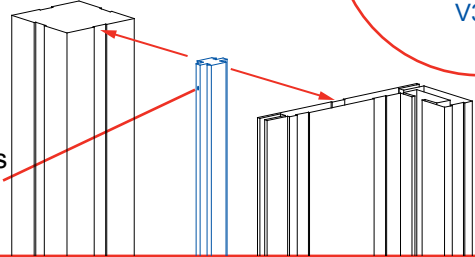
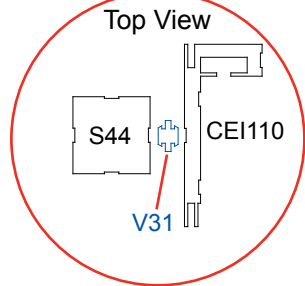
Steps:

- 1) Connect verticals [11-11A], [12-12A], [14-14A], [15-15A] together.
- 2) Attach lower horizontal [10] between vertical assemblies [11/11A], [12/12A]; slide lower **infill** between verticals and secure with horizontal [10A]; then slide upper **infill** between verticals & secure with upper horizontal [10B].
- 3) Connect lower horizontal [13] between vertical assemblies [14/14A], [15/15A]; slide lower **infill** between verticals, then secure with horizontal [13A]; slide upper **infill** between verticals & secure with upper horizontal [13B].
- 4) Attach left & right Return Wall assemblies to Lightbox Frame assemblies using V31 Connectors, as shown See **V31 Connection** detail.

V31 Connection

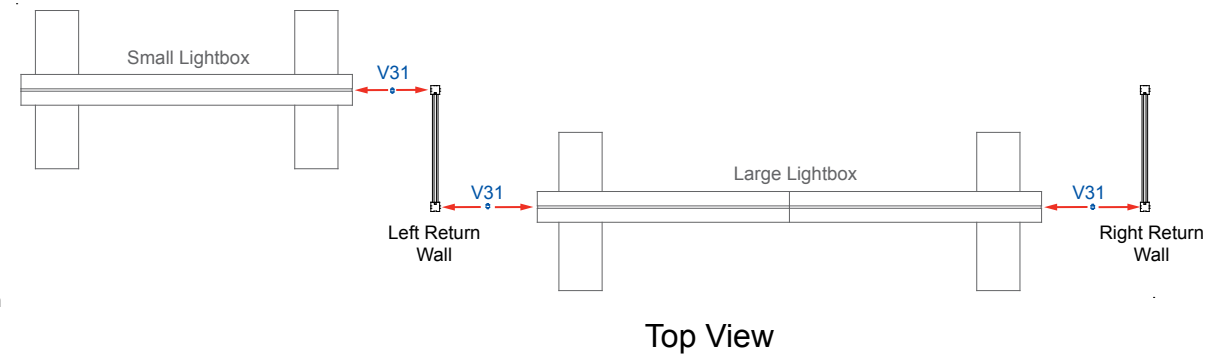
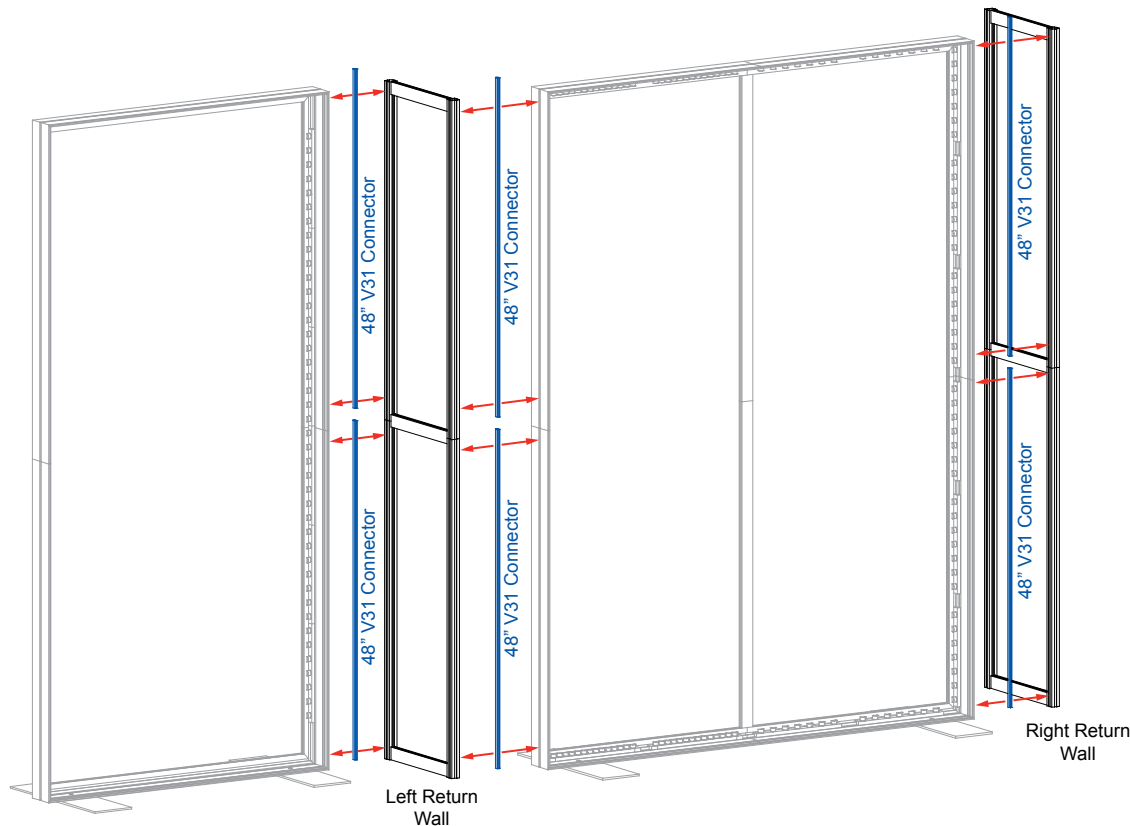
Slide V31 connector into channels of vertical extrusions.

Tighten set screws to secure.

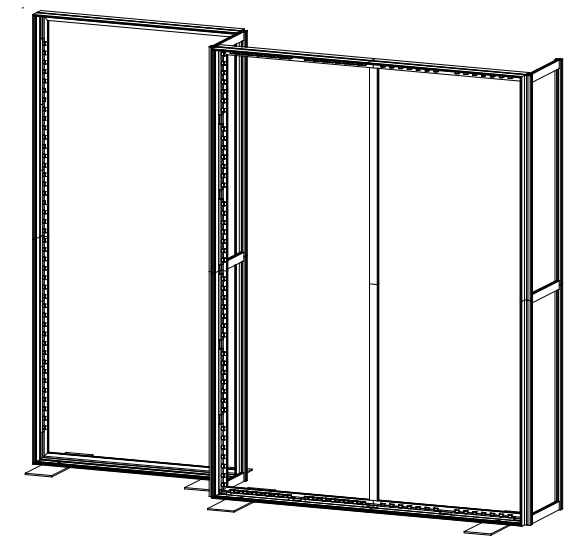


Left Return Wall

Right Return Wall

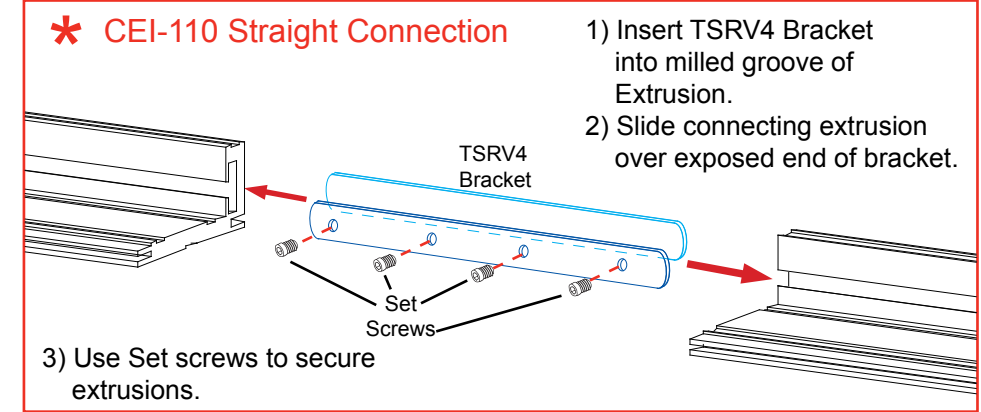


Top View



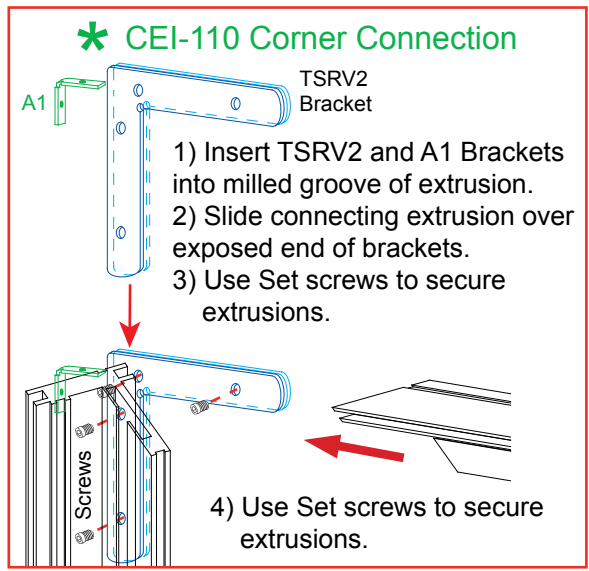
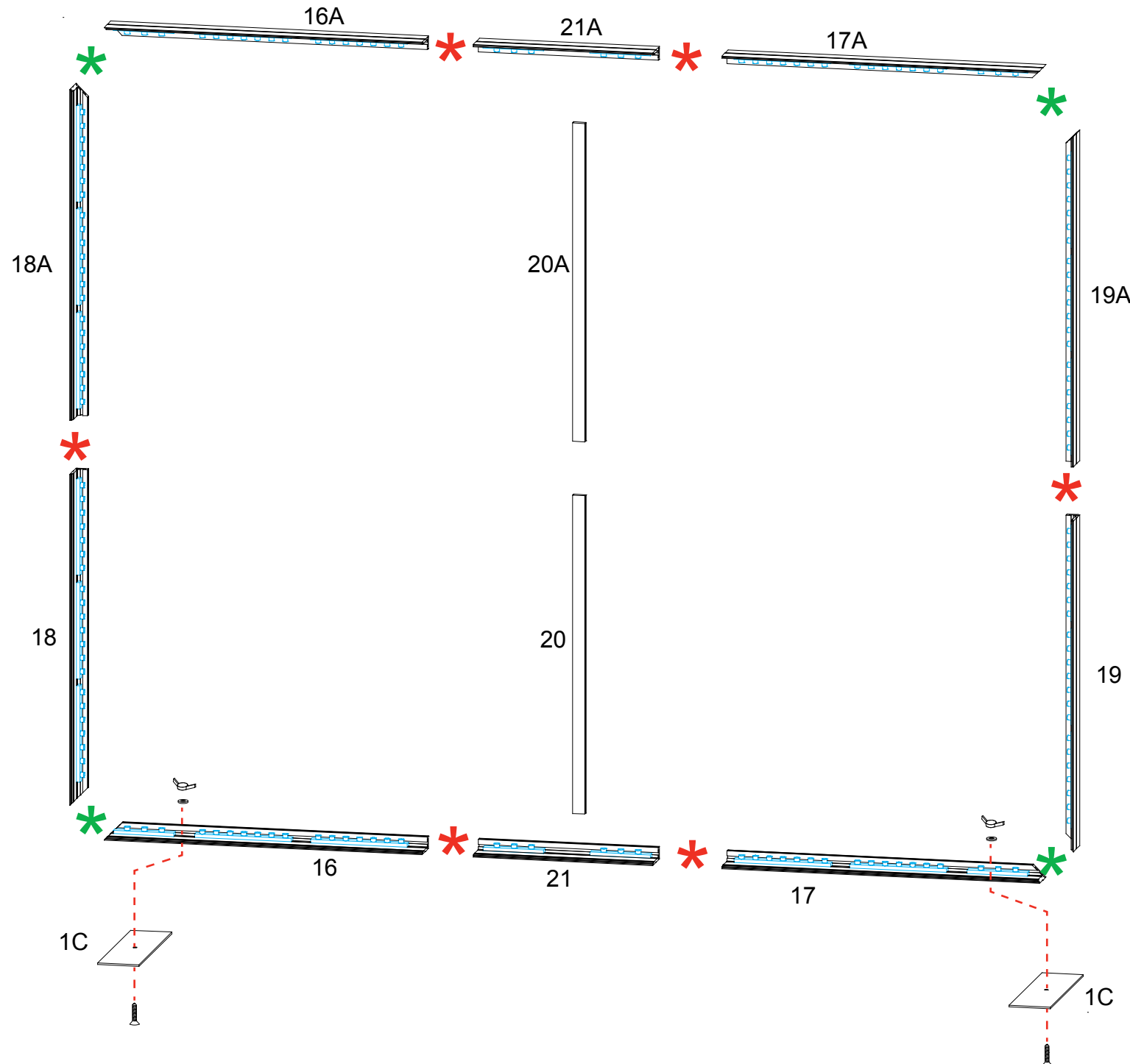
When assembled

Item	Qty.	Description
1C	2	Base Plate
16/16A	1/1	46" w CEI110 Horizontal Extrusion
17/17A	1/1	46" w CEI110 Horizontal Extrusion
18/18A	1/1	48" h CEI110 Vertical Extrusion
19/19A	1/1	48" h CEI110 Vertical Extrusion
20/20A	1/1	46.177" h Z45 Vertical Extrusion
21/21A	1/1	26" w CEI110 Horizontal Extrusion



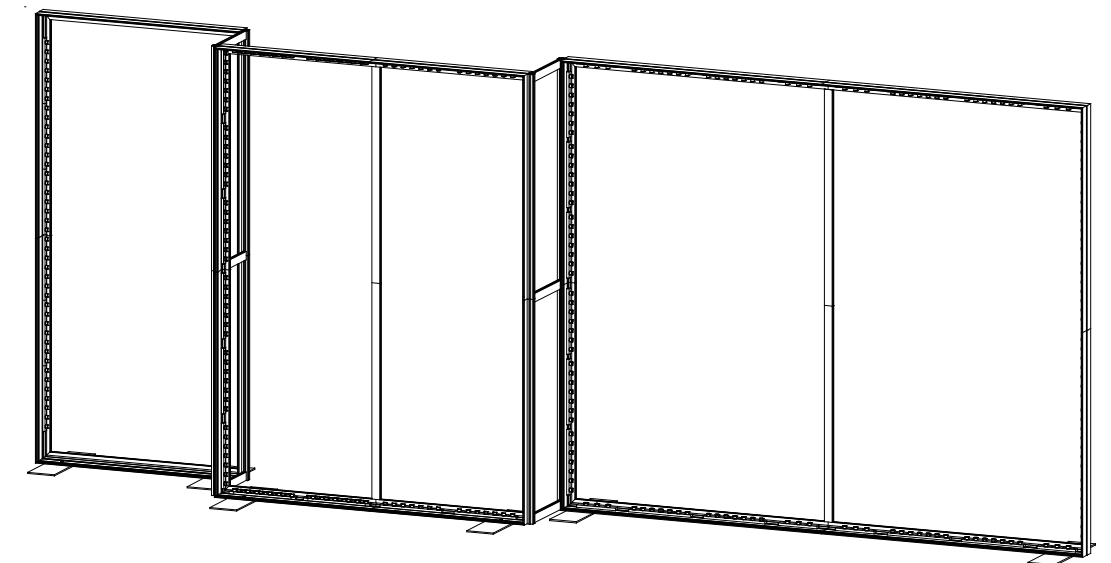
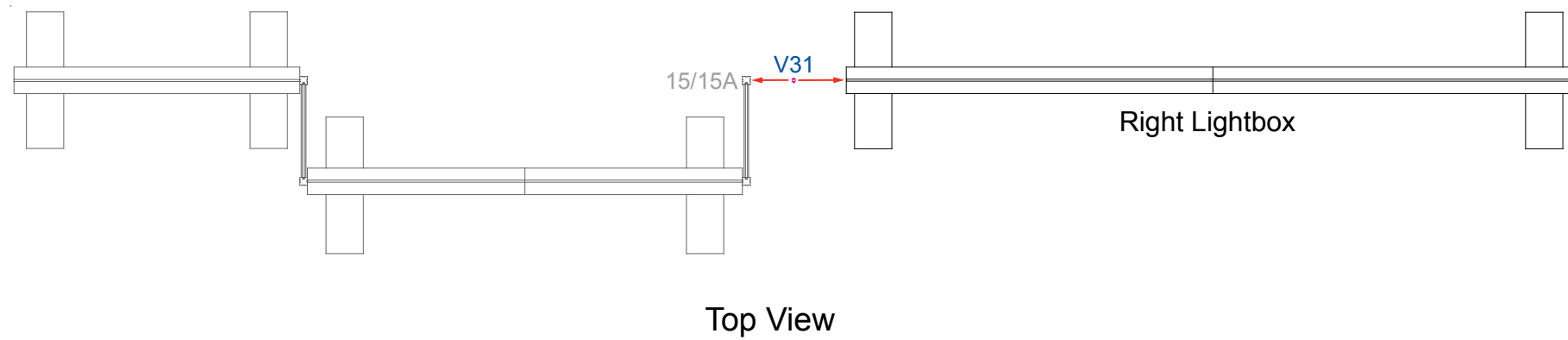
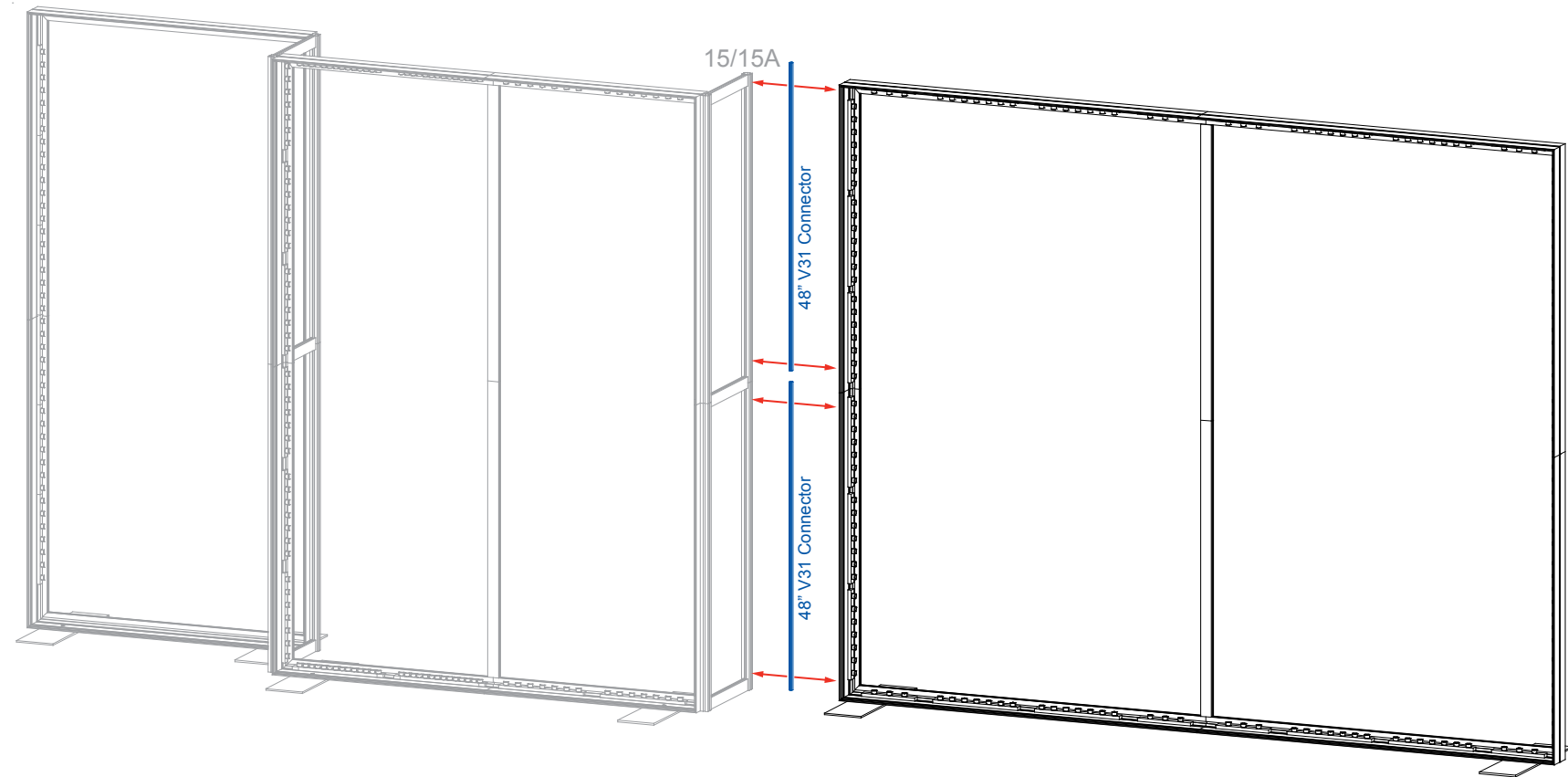
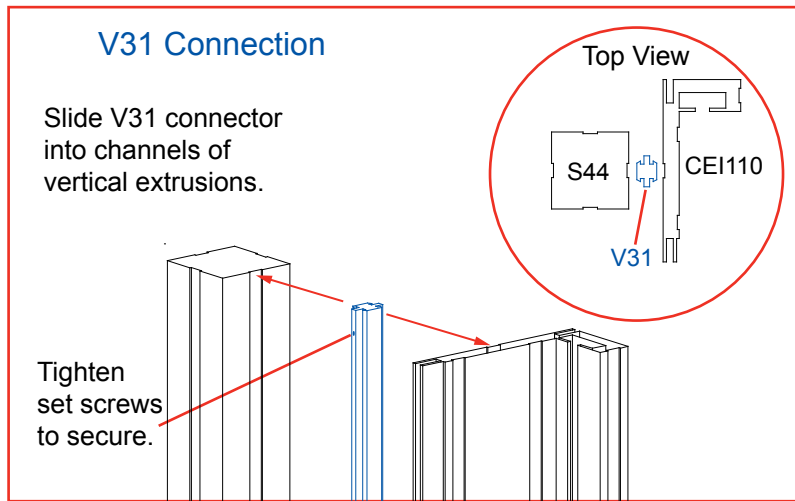
**Steps:**

- 1) Connect horizontals [16-21-17], [16A-21A-17A] together, & connect verticals [18-18A], [19-19A] together. See **CEI-110 Straight Connection** detail.
- 5) Attach Base Plates [1B] to horizontal assembly [16/21/17], using bolts & wing nuts.
- 6) Attach horizontal assemblies [16/21/17], [16A/21A/17A] between vertical assemblies [18/18A], [19/19A]. See **CEI-110 Corner Connection** detail.
- 7) Connect verticals [20,20A] between horizontal assemblies [16/21/17], [16A/21A/17A].



Item	Qty.	Description
--	2	48"h V31 Connector

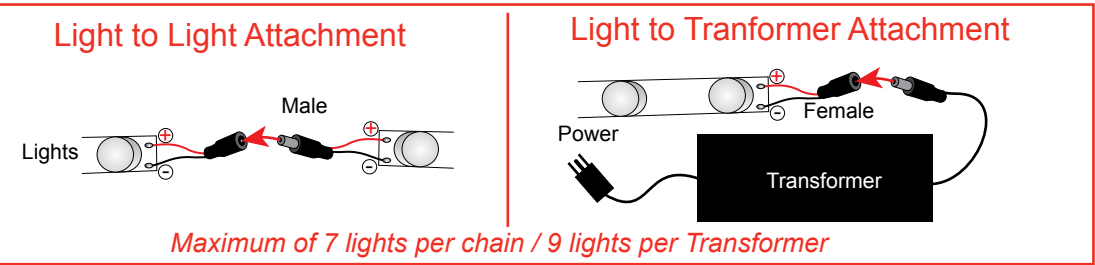
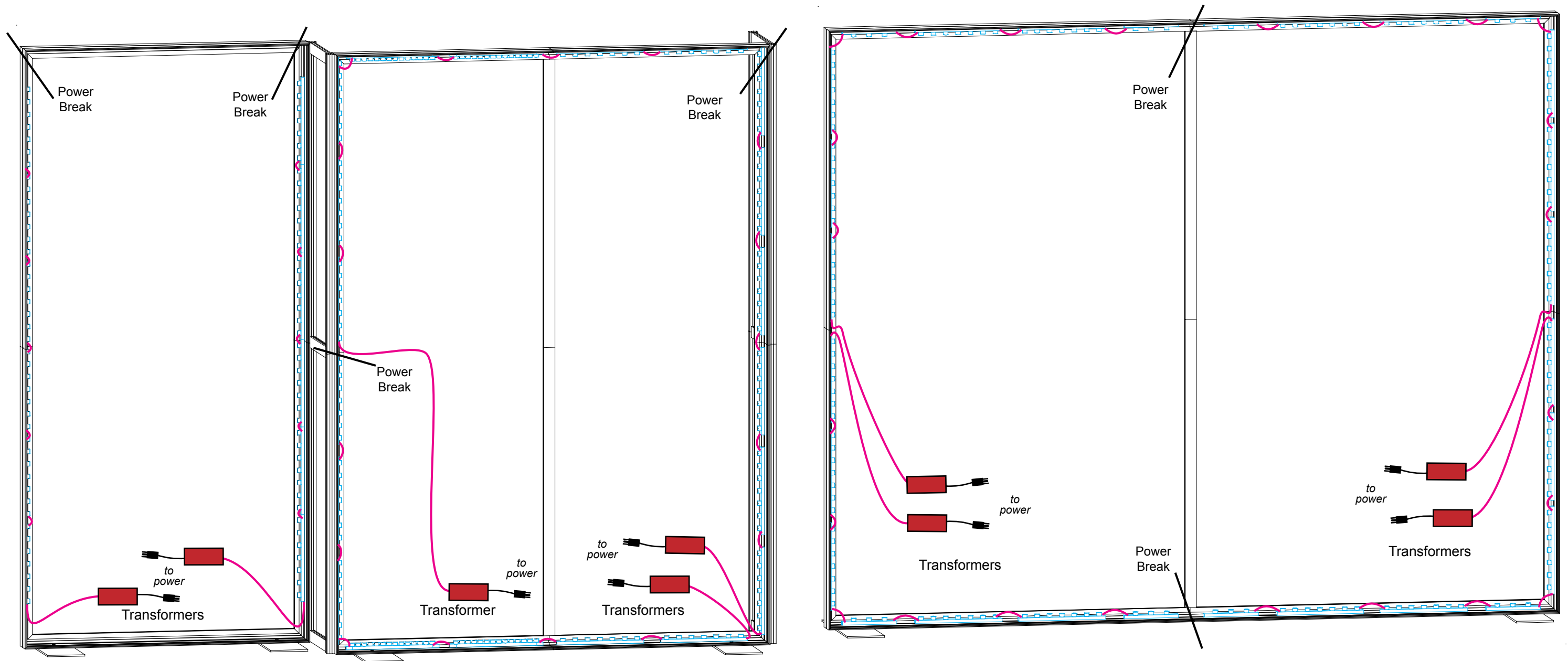
Steps:  
1) Attach Right Lightbox to vertical assembly [15/15A] using V31 connectors. See [V31 Connection](#) detail.



When assembled

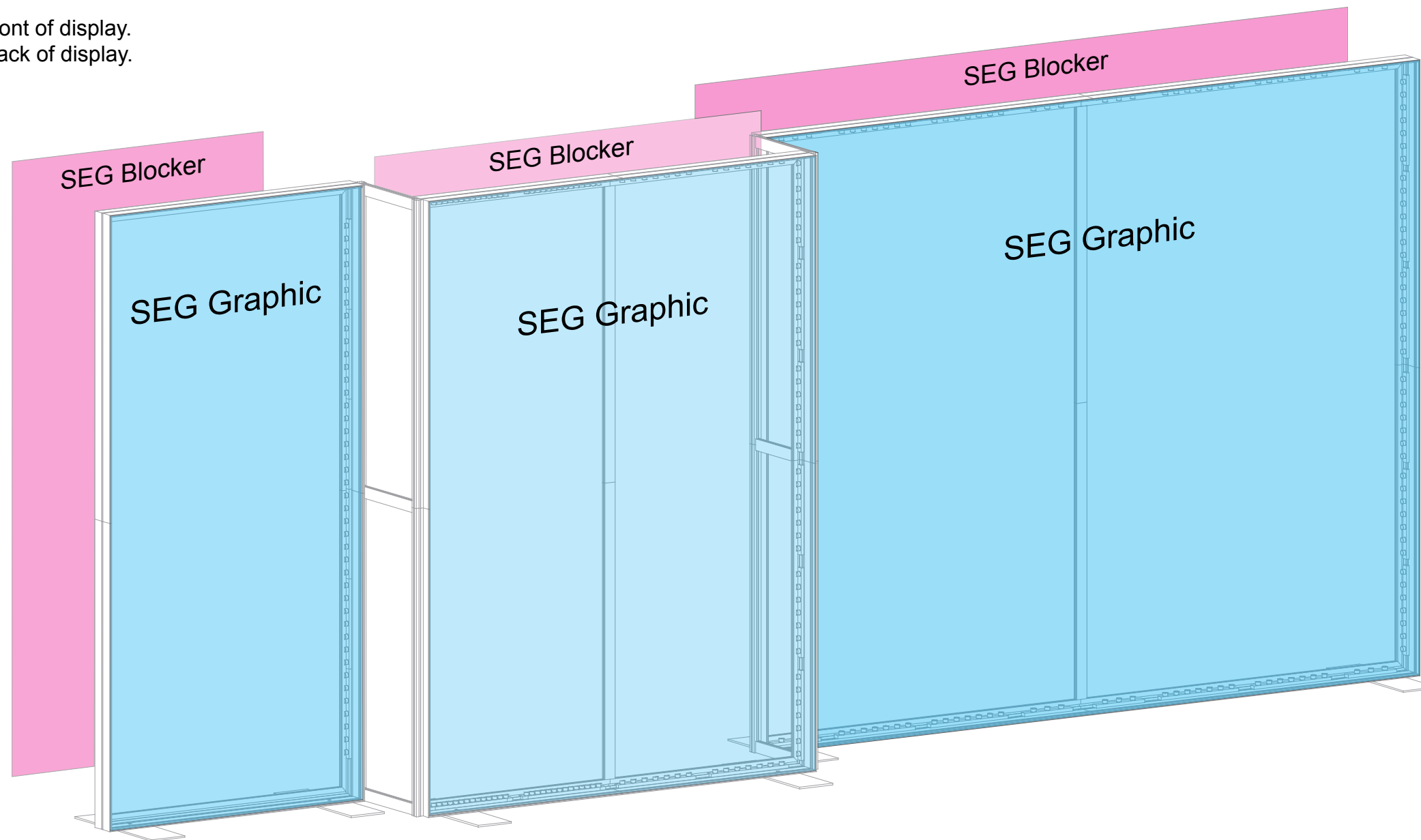
Steps:

- 1) Connect power cords to Supernova lights as shown.

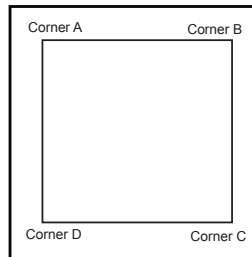


Steps:

- 1) Apply SEG graphics to front of display.
- 2) Apply SEG blockers to back of display.



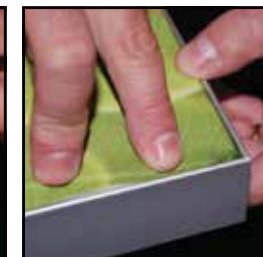
## SEG Graphic Installation



It is important to first insert graphic into each alternate corner then to the sides of the frame. If this is not done, graphic will not fit into the frame correctly.



**Step 1**  
Insert corner A. Turn edge of graphic so silicon welt is perpendicular to face of graphic. Insert narrow side of welt with fabric to outside into the channel. Repeat for other side of this corner.



**Step 2**  
Repeat Step 1 for opposite corner C, then insert corner D, to complete the installation of the corners.



**Step 3**  
Once all corners are inserted, press one silicon edge into channel from corners and work toward the center. Make sure welt is fully inserted into channel. Continue until all sides are done. Smooth out edges of graphic.

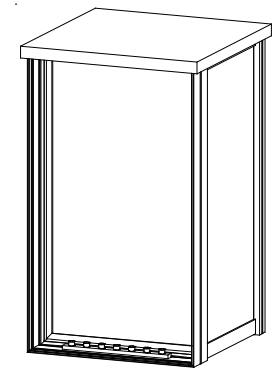
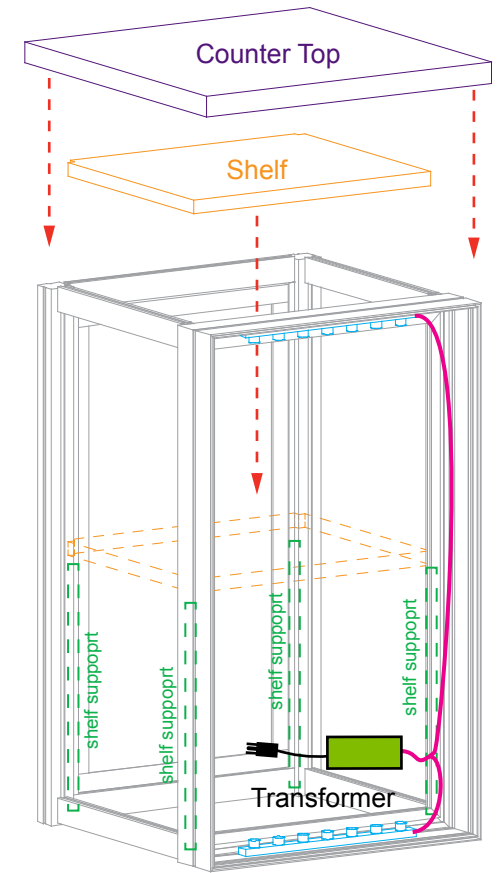
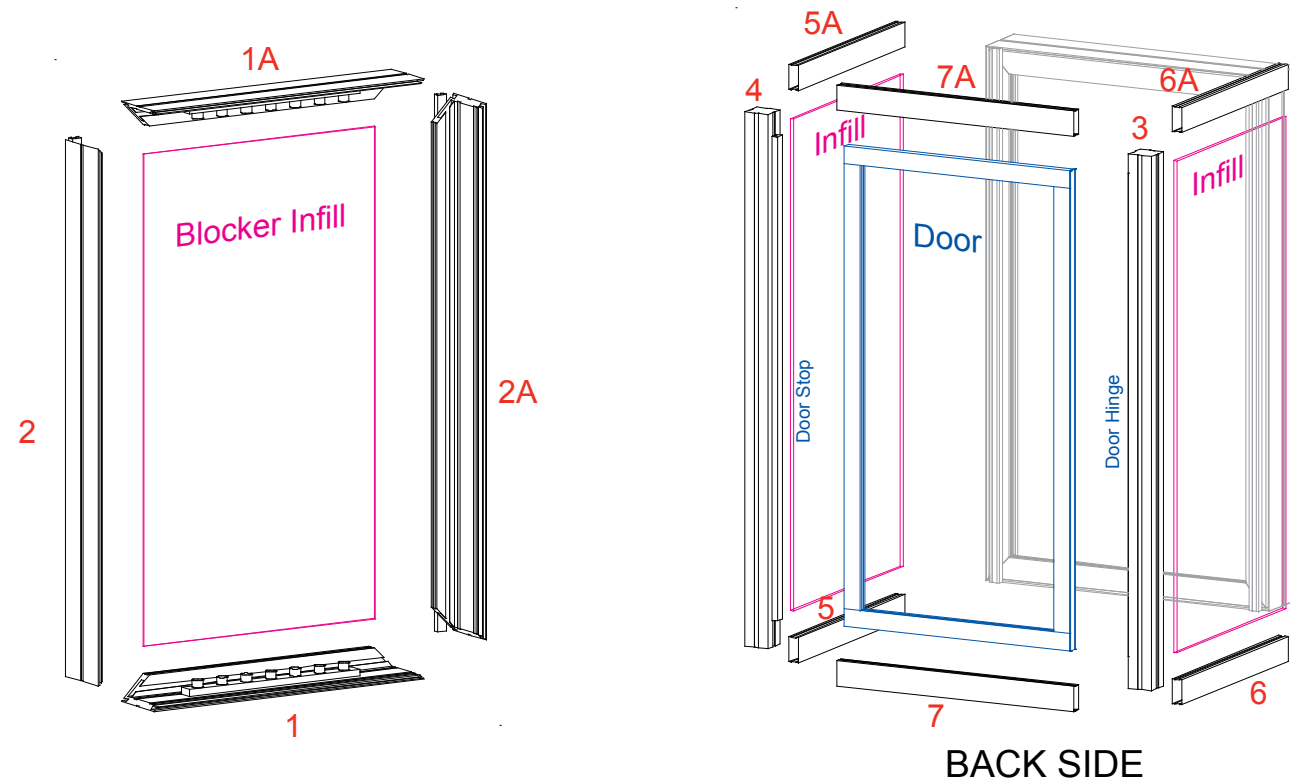


**Graphic Removal**  
To remove the graphic from the frame, locate the fabric pull tab. Gently pull up on the tab to remove the fabric.

Item	Qty.	Description
1/1A	1/1	22.1654" w CEI110 Horizontal Extrusion
2/2A	1/1	38" h CEI110 Vertical Extrusion w/ attached S10
3	1	38" h S44 Vertical Extrusion w/ Door Hinge
4	1	38" h S44 Vertical Extrusion w/ Door Stop
5/5A	1/1	16" w Z45 Horizontal Extrusion
6/6A	1/1	16" w Z45 Horizontal Extrusion
7/7A	1/1	18.5" w Z45 Horizontal Extrusion

**Steps:**

- 1) Connect horizontals [1,1A] between verticals [2,2A], sliding blocker infill between verticals. See CEI-110 Corner Connection detail.
- 2) Attach horizontal [5] between verticals [2A,4]; slide infill between verticals & secure with horizontal [5A].
- 3) Attach horizontal [6] between verticals [2,3]; slide infill between verticals & secure with horizontal [6A].
- 4) Attach horizontals [7,7A] between verticals [3,4].
- 5) Install Door between verticals [3,4]. See Door Attachment detail.
- 6) Affix shelf supports to inside of counter using Velcro; place Internal Shelf.
- 7) Place Counter Top onto assembly.
- 8) Attach power cords to Supernova lights as shown.
- 9) Apply SEG Graphic to front lightbox.



When assembled

**\* CEI-110 Corner Connection**

- 1) Insert TSRV2 and A1 Brackets into milled groove of extrusion.
- 2) Slide connecting extrusion over exposed end of brackets.
- 3) Use Set screws to secure extrusions.
- 4) Use Set screws to secure extrusions.

**\* Door Attachment**

Slide pin into hinge attached to vertical. Slide door hinge over pin.

**SEG Graphic Installation**

It is important to first insert graphic into each alternate corner then to the sides of the frame. If this is not done, graphic will not fit into the frame correctly.

- Step 1** Insert corner A. Turn edge of graphic so silicon welt is perpendicular to face of graphic. Insert narrow side of welt with fabric to outside into the channel. Repeat for other side of this corner.
- Step 2** Repeat Step 1 for opposite corner B, followed by corner D, to complete the installation of the corners.
- Step 3** Once all corners are inserted, press one silicon edge into channel from corners and work toward the center. Make sure welt is fully inserted into channel. Continue until all sides are done. Smooth out edges of graphic.

**Graphic Removal**

To remove the graphic from the frame, locate the fabric pull tab. Gently pull up on the tab to remove the fabric.

**Light to Transformer Attachment**

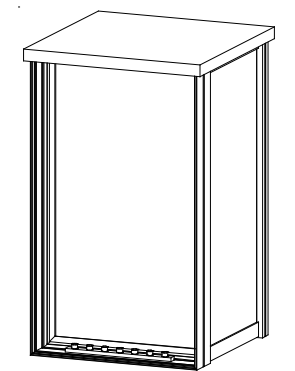
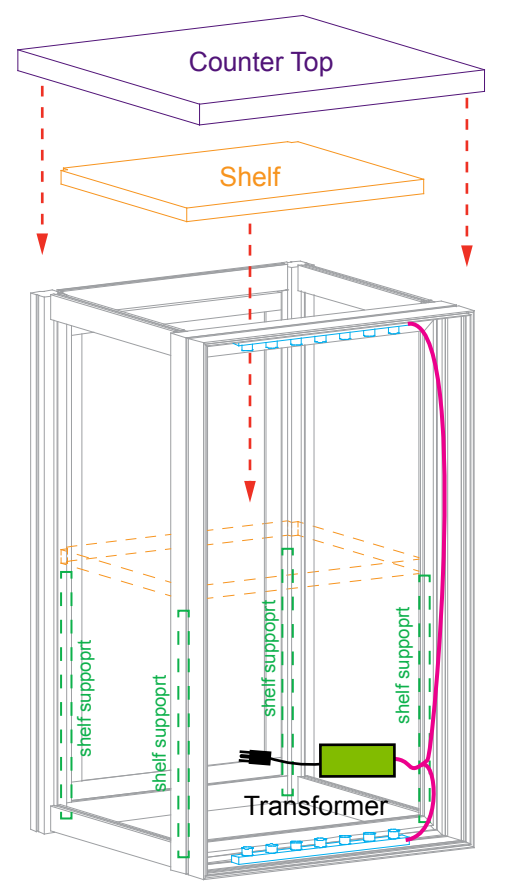
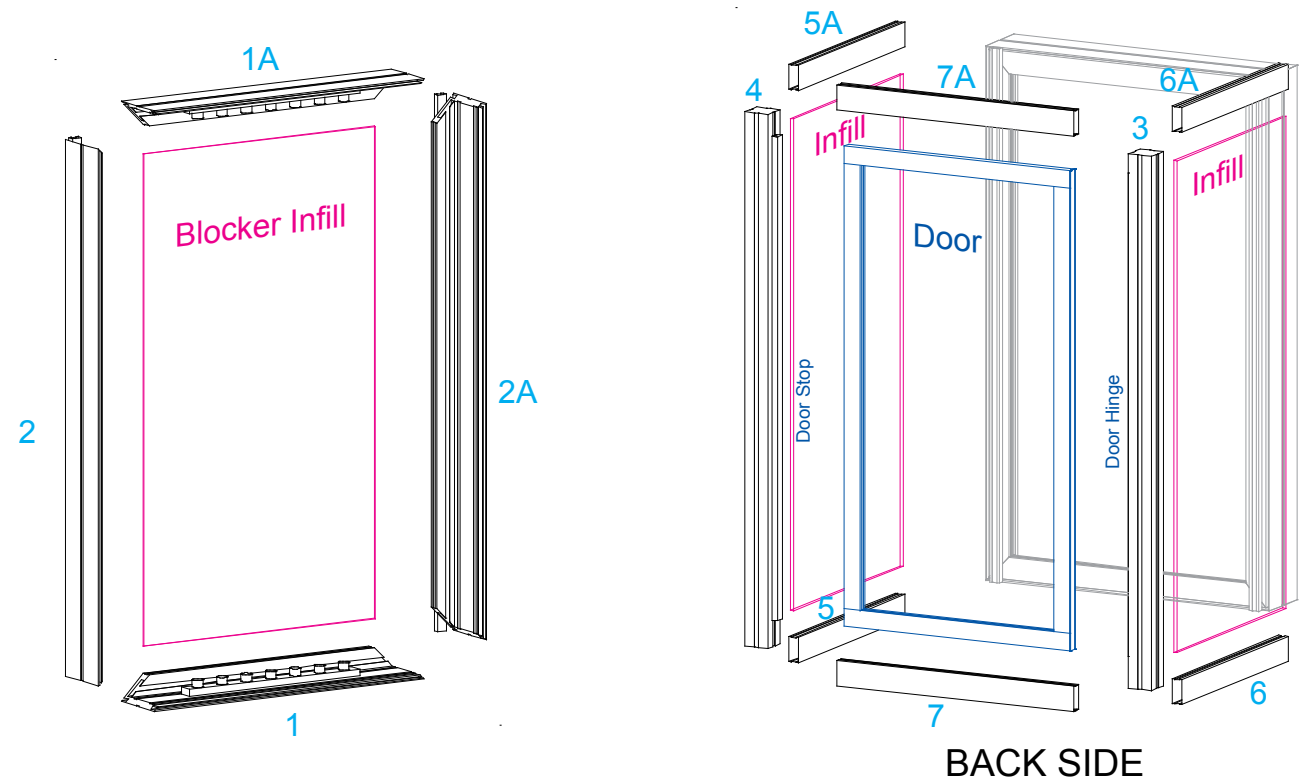
Maximum of 3 lights per Transformer



Item	Qty.	Description
1/1A	1/1	22.1654"w CEI110 Horizontal Extrusion
2/2A	1/1	38"h CEI110 Vertical Extrusion w/ attached S10
3	1	38"h S44 Vertical Extrusion w/ Door Hinge
4	1	38"h S44 Vertical Extrusion w/ Door Stop
5/5A	1/1	16"w Z45 Horizontal Extrusion
6/6A	1/1	16"w Z45 Horizontal Extrusion
7/7A	1/1	18.5"w Z45 Horizontal Extrusion

**Steps:**

- 1) Connect horizontals [1,1A] between verticals [2,2A], sliding blocker infill between verticals. See CEI-110 Corner Connection detail.
- 2) Attach horizontal [5] between verticals [2A,4]; slide infill between verticals & secure with horizontal [5A].
- 3) Attach horizontal [6] between verticals [2,3]; slide infill between verticals & secure with horizontal [6A].
- 4) Attach horizontals [7,7A] between verticals [3,4].
- 5) Install Door between verticals [3,4]. See Door Attachment detail.
- 6) Affix shelf supports to inside of counter using Velcro; place Internal Shelf.
- 7) Place Counter Top onto assembly.
- 8) Attach power cords to Supernova lights as shown.
- 9) Apply SEG Graphic to front lightbox.



When assembled

**\* CEI-110 Corner Connection**

- 1) Insert TSRV2 and A1 Brackets into milled groove of extrusion.
- 2) Slide connecting extrusion over exposed end of brackets.
- 3) Use Set screws to secure extrusions.
- 4) Use Set screws to secure extrusions.

**\* Door Attachment**

Slide pin into hinge attached to vertical. Slide door hinge over pin.

**SEG Graphic Installation**

**It is important to first insert graphic into each alternate corner then to the sides of the frame. If this is not done, graphic will not fit into the frame correctly.**

- Step 1** Insert corner A. Turn edge of graphic so silicon welt is perpendicular to face of graphic. Insert narrow side of welt with fabric to outside into the channel. Repeat for other side of this corner.
- Step 2** Repeat Step 1 for opposite corner C, then insert corner B, followed by corner D, to complete the installation of the corners.
- Step 3** Once all corners are inserted, press one silicon edge into channel from corners and work toward the center. Make sure welt is fully inserted into channel. Continue until all sides are done. Smooth out edges of graphic.

**Graphic Removal**

To remove the graphic from the frame, locate the fabric pull tab. Gently pull up on the tab to remove the fabric.

**Light to Transformer Attachment**

Maximum of 3 lights per Transformer